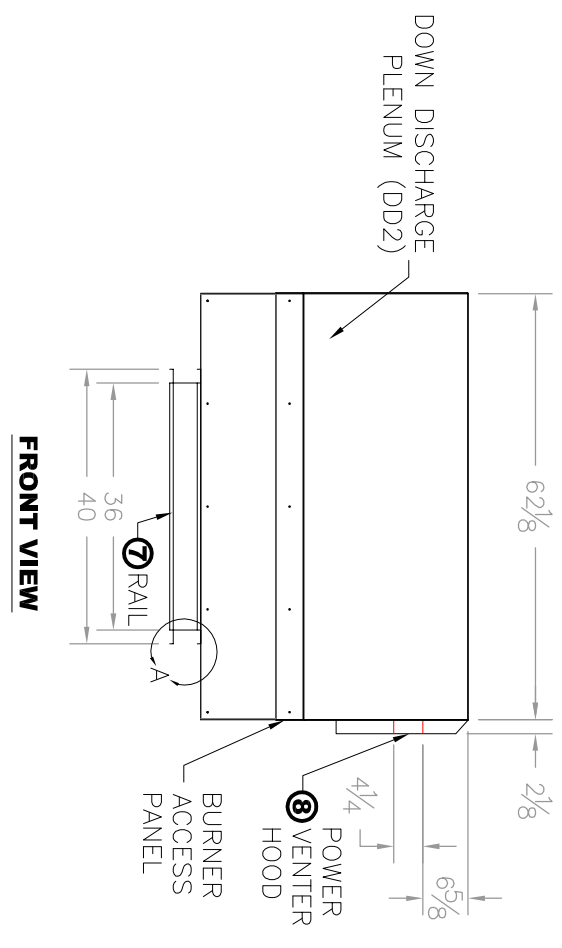
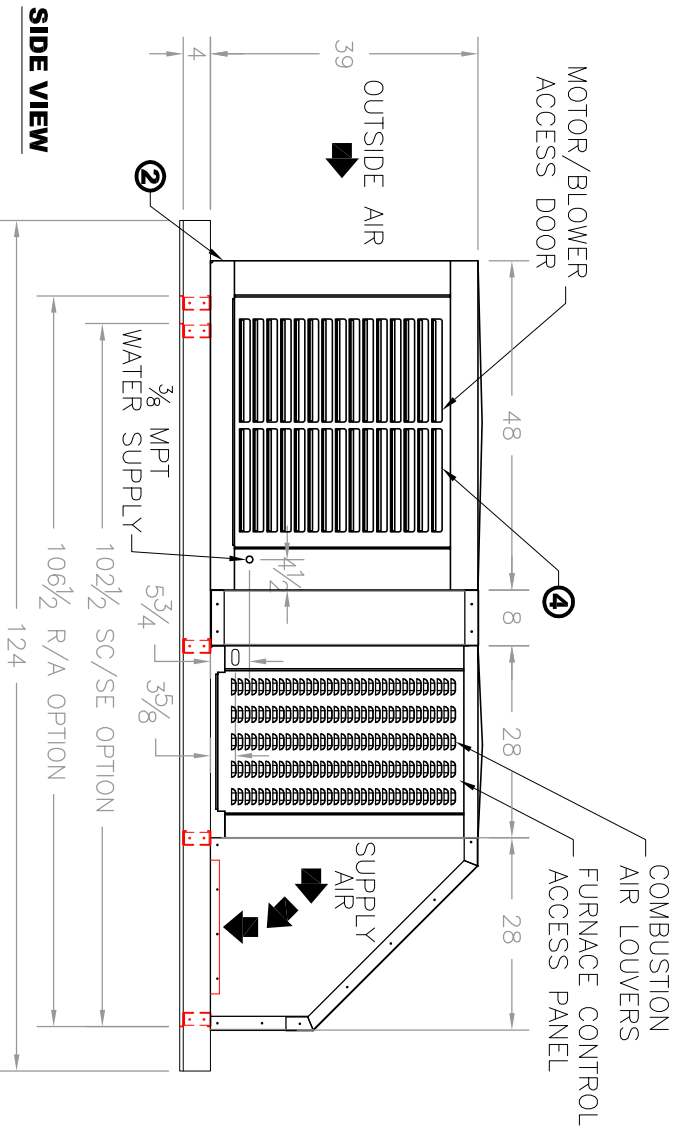


DETAIL A



FRONT VIEW

- NOTE: MOTOR NOT INCLUDED IN UNIT WEIGHT
- SITE PREPARATION & UNIT LOCATION
- SERVICE CLEARANCES SHALL BE THE SAME WIDTH AS THE UNIT ITSELF.
 - AVOID OVERHEAD POWER LINES, OR OTHER UTILITY ACCESS TO PREVENT CONTACT OR DAMAGE
 - DO NOT LOCATE ANY GAS FIRED EQUIPMENT NEAR CORROSIVE OR EXPLOSIVE VAPORS SUCH AS ACID OR CHLORINATED VAPORS. REFER TO LOCAL CODES AND RESTRICTIONS.
- NOTES:
1. BASE UNIT CONSTRUCTED OF 20 GA. G90, GALVANIZED FINISH.
 2. STANDARD EVAP. UNITS, SE (OPTIONAL) INCLUDE 300 SERIES SS SUMP (12YR. WARRANTY), SUMP PUMP AND 2" CELDEK MEDIA ARE STANDARD FEATURES. OPTIONAL FILL & DRAIN KIT AVAILABLE.
 3. FURNACES ARE CSA CERTIFIED. (5YR HEAT EXCHANGER WARRANTY)
 4. INDOOR UNITS DO NOT HAVE INLET LOUVERS, SOLID DOORS ARE PLACED ON THE SIDES OF THE BLOWER SECTION. THE INLET AIR IS TO BE DUCTED TO THE END OF THE BLOWER MODULE.
 5. OPTIONAL R/A OPENING SHOWN. RETURN AIR OPENING IS 32"X34", IT INCLUDES (4) 16"X16"X1" T/A FILTERS AS STANDARD.
 6. HOISTING POINTS ARE PART OF THE UNIT MOUNTING RAIL, THESE ARE NOT INTENDED FOR PERMANENT SUSPENSION, CONTACT FACTORY.
 7. FULL PERIMETER RAIL, 14 GA. G90, GALVANIZED FINISH.
 8. INDOOR OR OUTDOOR KIT NOT SHOWN, SEE FURNACE OPTIONS FOR DETAIL, POWER VENTER RAIN SHIELD OR SQUARE-TO-ROUND ADAPTER SHIPPED LOOSE FOR FIELD INSTALLATION.

NOTE: ARES RESERVES THE RIGHT TO CHANGE SPECIFICATIONS AND PRODUCT DESIGN WITHOUT NOTICE. SUCH REVISIONS DO NOT ENTITLE THE BUYER TO CORRESPONDING CHANGES, IMPROVEMENTS, ADDITIONS OR REPLACEMENTS FOR PREVIOUSLY PURCHASED EQUIPMENT.

PROJECT:	LOCATION:	SUBMITTAL NO.	AF2BXDX		
ENGINEER:	CONTRACTOR:	SCALE: 1:28	NAME:	DATE:	
		DRAWN BY:	DW	5/5/15	
UNIT TYPE:		NET/VP VT (RS)	975	1110	
SC2/SE2 W/ 300,350,400 MBH INDIRECT FIRED GAS PACKAGED FURNACE DOWN DISCHARGE PLENUM (DD1)		<p style="text-align: center;">ARES</p> <p style="text-align: center;">AIR REPLACEMENT ENGINEERED SYSTEMS</p> <p style="text-align: center;">A DIVISION OF ESSICK AIR PRODUCTS</p> <p style="text-align: center;">3328 INTERURBAN RD. DENISON TX 75020</p> <p style="text-align: center;">PHONE: (903) 463-1408, (800) 288-0892, (903) 463-1235</p> <p style="text-align: center;">WEBSITE: www.aresmkequip.com</p>			