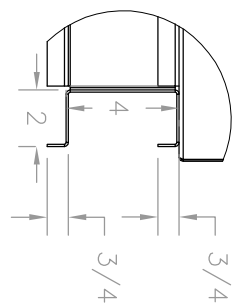
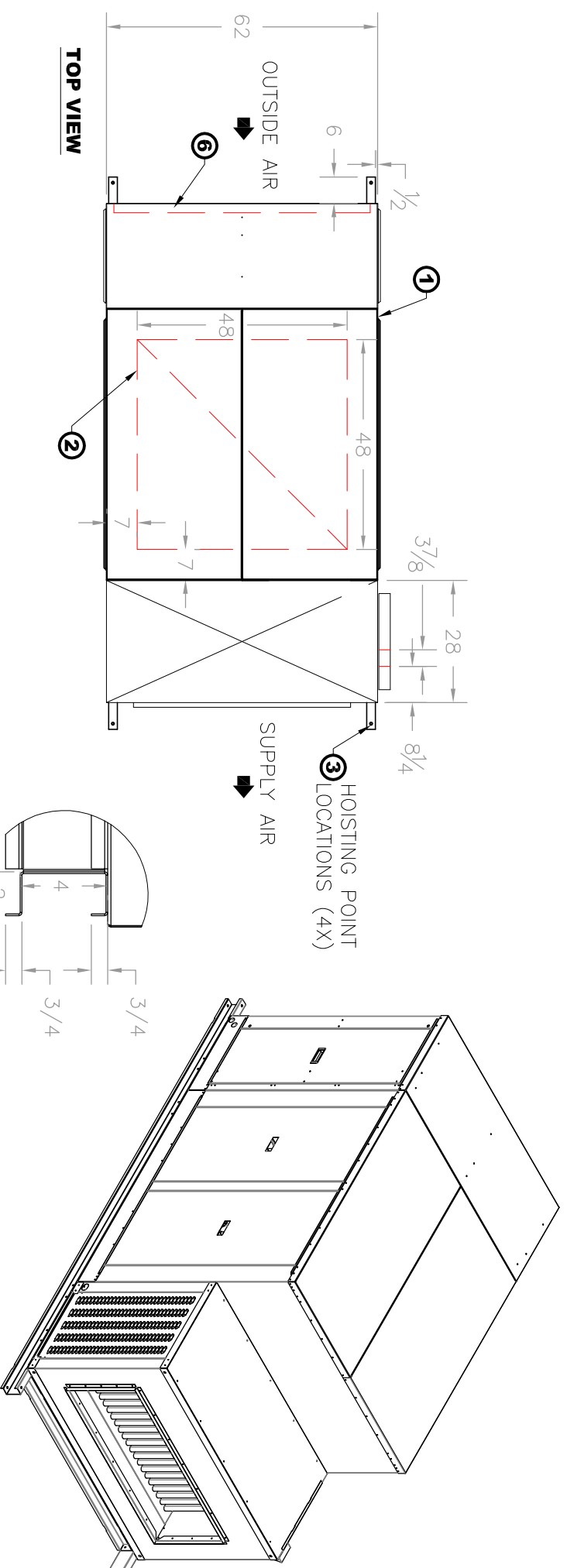


ALL DIMENSIONS ARE IN INCHES

SC-3 PERFORMANCE DATA	
MINIMUM CFM	MAXIMUM CFM
10,000 CFM	14,000 CFM

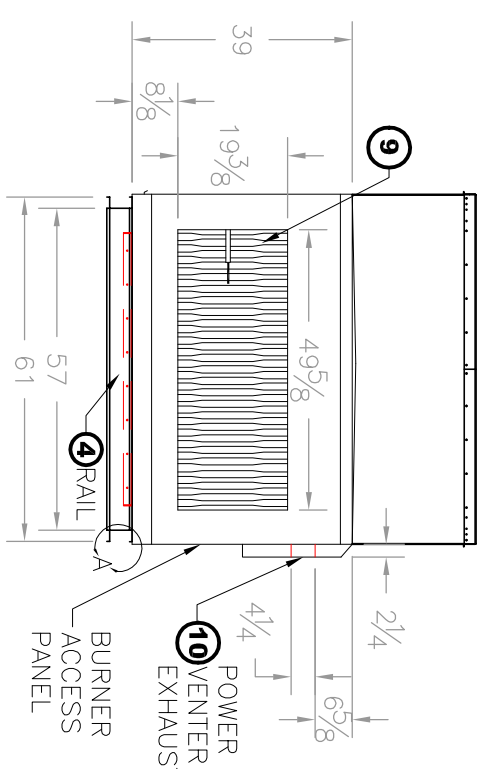
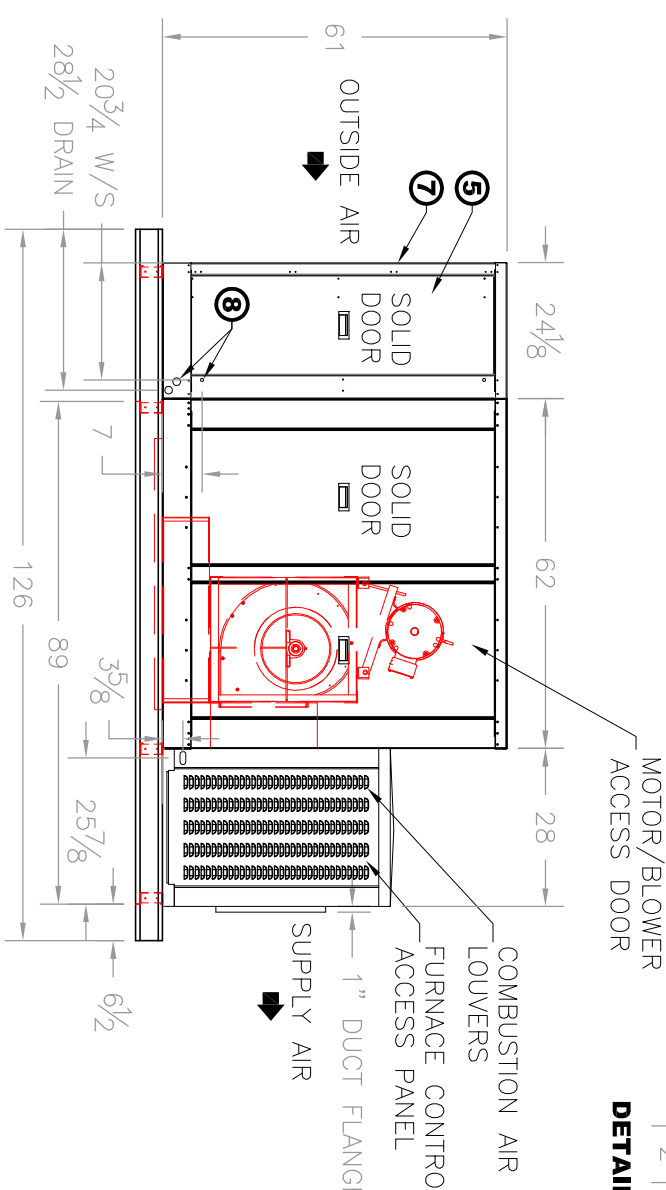
**RETURN AIR OPTION
MAXIMUM 10,400 CFM**



- NOTE: MOTOR NOT INCLUDED IN UNIT WEIGHT
- SITE PREPARATION & UNIT LOCATION
- SERVICE CLEARANCES SHALL BE THE SAME WIDTH AS THE UNIT ITSELF.
 - AVOID OVERHEAD POWER LINES, OR OTHER UTILITY ACCESS TO PREVENT CONTACT OR DAMAGE
 - DO NOT LOCATE ANY GAS FIRED EQUIPMENT NEAR CORROSIVE OR EXPLOSIVE VAPORS SUCH AS ACID OR CHLORINATED VAPORS. REFER TO LOCAL CODES AND RESTRICTIONS.

NOTES:

- BASE UNIT CONSTRUCTED OF 18 GA. G90, GALVANIZED FINISH, (OPTIONAL) 304 STAINLESS STEEL CABINET AVAILABLE.
- (OPTIONAL) R/A OPENING SHOWN. RETURN AIR OPENING IS 48"X48", IT INCLUDES 24"X24"X2" T/A FILTERS AS STANDARD.
- HOISTING POINTS ARE PART OF THE UNIT MOUNTING RAIL, THESE ARE NOT INTENDED FOR PERMANENT SUSPENSION, FULL PERIMETER RAIL, 14 GA. G90, GALVANIZED FINISH.
- CEV-12000 INCLUDES 12" EVAPORATIVE MEDIA AND STANDARD 304 STAINLESS STEEL CONSTRUCTION.
- CEV-12000 STANDARD W/ 18"X20"X2" INLET FILTERS (30% EFF.)
- CEV-12000 INCLUDES ALUMINUM INLET LOUVER/BIRDSCREEN.
- CEV PLUMBING CONNECTIONS ARE 3/4 FPT FOR DRAIN & OVERFLOW, 3/8 MPT FOR WATER SUPPLY.
- FURNACES ARE CSA CERTIFIED. (5YR HEAT EXCHANGER WARRANTY)
- INDOOR OR OUTDOOR KIT NOT SHOWN, SEE FURNACE OPTIONS FOR DETAIL, POWER VENTER RAIN SHIELD OR SQUARE-TO-ROUND ADAPTER SHIPPED LOOSE FOR FIELD INSTALLATION.



NOTE: ARES RESERVES THE RIGHT TO CHANGE SPECIFICATIONS AND PRODUCT DESIGN WITHOUT NOTICE. SUCH REVISIONS DO NOT ENTITLE THE BUYER TO CORRESPONDING CHANGES, IMPROVEMENTS, ADDITIONS OR REPLACEMENTS FOR PREVIOUSLY PURCHASED EQUIPMENT.

PROJECT:	LOCATION:	SUBMITTAL NO.	SCALE: 1:30	NAME:	DATE:
ENGINEER:	CONTRACTOR:	AF6BXX2	DRAWN BY:	DW	5/27/2015
UNIT TYPE:			NET/VP	VT	CLS3
SC3 DUAL BLOWER			1260		1500
AIR REPLACEMENT ENGINEERED SYSTEMS					
A DIVISION OF ESSICK AIR PRODUCTS					
3328 INTERURBAN RD. DENISON, TX 75020					
PHONE: (903) 463-1408, (800) 288-0892, (903) 463-1235					
WEBSITE: www.aresmkequip.com					