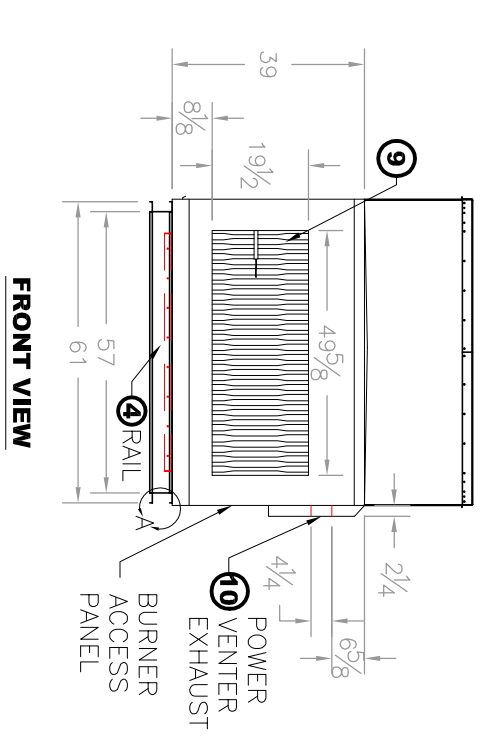
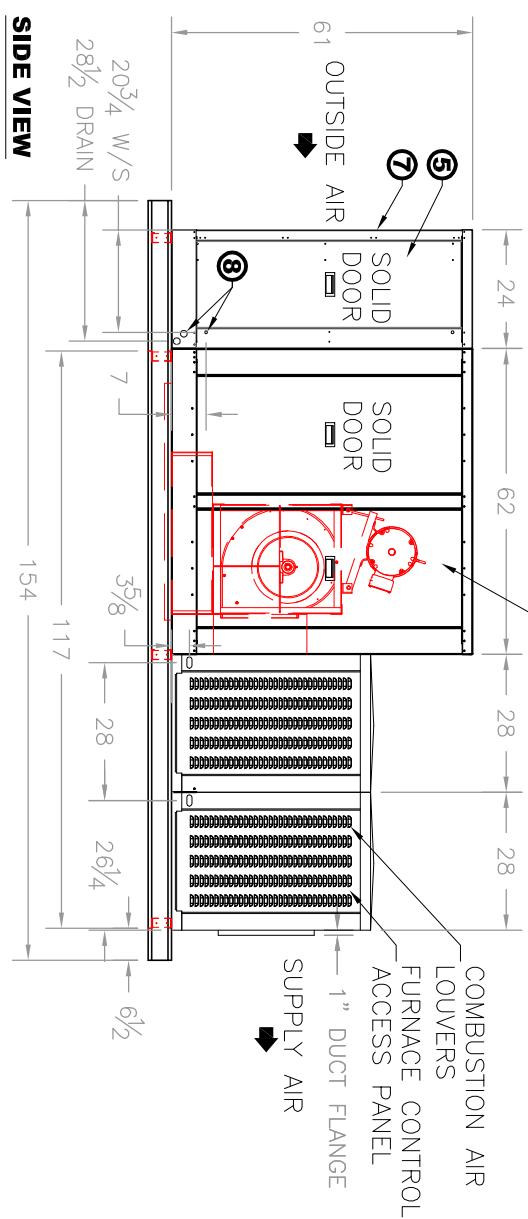
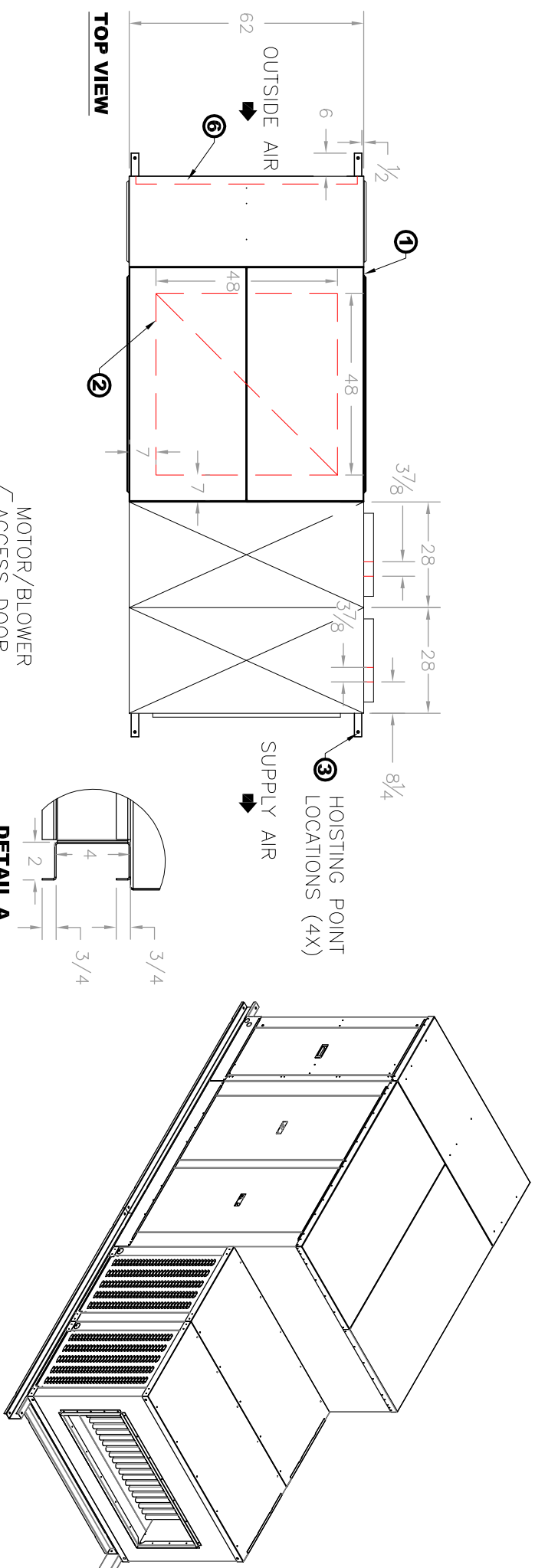


ALL DIMENSIONS ARE IN INCHES

SC-3 PERFORMANCE DATA	
MINIMUM CFM	MAXIMUM CFM
10,000 CFM	14,000 CFM

RETURN AIR OPTION
MAXIMUM 10,400 CFM



- NOTE: MOTOR NOT INCLUDED IN UNIT WEIGHT
- SITE PREPARATION & UNIT LOCATION
- SERVICE CLEARANCES SHALL BE THE SAME WIDTH AS THE UNIT ITSELF.
 - AVOID OVERHEAD POWER LINES, OR OTHER UTILITY ACCESS TO PREVENT CONTACT OR DAMAGE
 - DO NOT LOCATE ANY GAS FIRED EQUIPMENT NEAR CORROSIVE OR EXPLOSIVE VAPORS SUCH AS ACID OR CHLORINATED VAPORS. REFER TO LOCAL CODES AND RESTRICTIONS.
- NOTES:
1. BASE UNIT CONSTRUCTED OF 18 GA. G90, GALVANIZED FINISH, (OPTIONAL) 304 STAINLESS STEEL CABINET AVAILABLE.
 2. (OPTIONAL) R/A OPENING SHOWN. RETURN AIR OPENING IS 48"X48", IT INCLUDES 24"X24"X2" T/A FILTERS AS STANDARD.
 3. HOISTING POINTS ARE PART OF THE UNIT MOUNTING RAIL, THESE ARE NOT INTENDED FOR PERMANENT SUSPENSION.
 4. FULL PERIMETER RAIL, 14 GA. G90, GALVANIZED FINISH.
 5. CEV-12000 INCLUDES 12" EVAPORATIVE MEDIA AND STANDARD 304 STAINLESS STEEL CONSTRUCTION.
 6. CEV-12000 STANDARD W/ 18"X20"X2" INLET FILTERS (30% EFF.)
 7. CEV-12000 INCLUDES ALUMINUM INLET LOUVER/BIRDSCREEN.
 8. CEV PLUMBING CONNECTIONS ARE 3/4 FPT FOR DRAIN & OVERFLOW, 3/8 MPT FOR WATER SUPPLY.
 9. FURNACES ARE CSA CERTIFIED. (5YR HEAT EXCHANGER WARRANTY)
 10. INDOOR OR OUTDOOR KIT NOT SHOWN, SEE FURNACE OPTIONS FOR DETAIL, POWER VENTER RAIN SHIELD OR SQUARE-TO-ROUND ADAPTER SHIPPED LOOSE FOR FIELD INSTALLATION.

PROJECT:	LOCATION:	SUBMITTAL NO.	AF6CXX2		
ENGINEER:	CONTRACTOR:	SCALE: 1:30	NAME:	DATE:	
SC3 DUAL BLOWER W/ CEV 12000 DIRECT EVAPORATIVE MODULE & LARGE DOUBLE FURNACE		DRAWN BY:	DW	2/12/2016	
		NET/DP VT (LBS)	1850	2200	

ARES
AIR REPLACEMENT ENGINEERED SYSTEMS
A DIVISION OF ESSICK AIR PRODUCTS
3328 INTERURBAN RD. DENISON TX 75020
PHONE: (903) 463-1408, (800) 288-0892, (903) 463-1235
WEBSITE: www.aresmkcqpdr.com

NOTE: ARES RESERVES THE RIGHT TO CHANGE SPECIFICATIONS AND PRODUCT DESIGN WITHOUT NOTICE. SUCH REVISIONS DO NOT ENTITLE THE BUYER TO CORRESPONDING CHANGES, IMPROVEMENTS, ADDITIONS OR REPLACEMENTS FOR PREVIOUSLY PURCHASED EQUIPMENT.