

DUCT CONNECTION DIMENSIONAL DATA						
UNITS	A	B	C	D	E	MAX DC/MAX DE CFM
DC1/DE1	18 3/4	15 5/8	13 9/16	18 5/16	11 3/8	6000
DC2/DE2	15 9/16	18 3/4	13 5/8	21 5/8	9 11/16	8000

WEIGHT DATA					
UNITS	DC-1	DE-1	DC-2	DE-2	
NET	280	280	350	350	
Op	280	425	350	480	

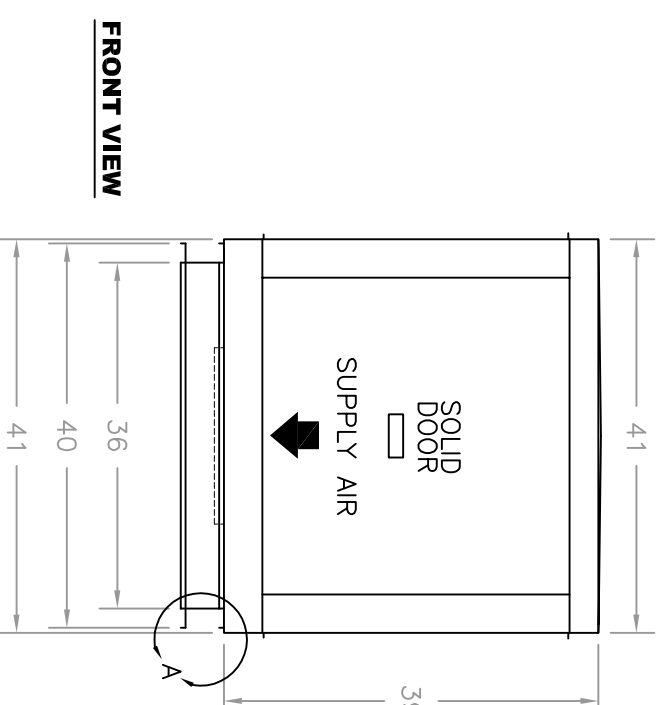
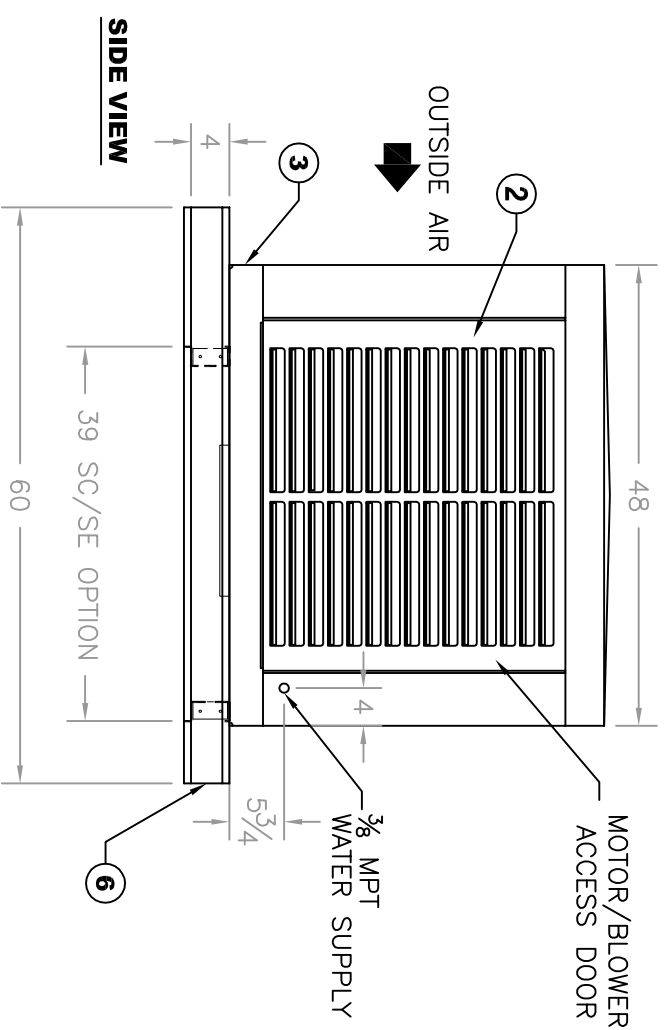
ALL DIMENSIONS ARE IN INCHES

NOTE: MOTOR NOT INCLUDED IN UNIT WEIGHT
SITE PREPARATION & UNIT LOCATION

- SERVICE CLEARANCES SHALL BE THE SAME WIDTH AS THE UNIT ITSELF.
- AVOID OVERHEAD POWER LINES, OR OTHER UTILITY ACCESS TO PREVENT CONTACT OR DAMAGE
- DO NOT LOCATE ANY GAS FIRED EQUIPMENT NEAR CORROSIVE OR EXPLOSIVE VAPORS SUCH AS ACID OR CHLORINATED VAPORS. REFER TO LOCAL CODES AND RESTRICTIONS.

NOTES:

1. BASE UNIT CONSTRUCTED OF 20 GA. G90, GALVANIZED FINISH, (OPTIONAL) 304 STAINLESS STEEL CABINET AVAILABLE.
2. NON-EVAP. UNITS COME WITH STANDARD T/A FILTERS, 30% EFFICIENCY FILTERS ARE AVAILABLE (OPTIONAL).
3. STANDARD EVAP. UNITS, DE (OPTIONAL) INCLUDE 300 SERIES SS SUMP (12YR. RUST WARRANTY), SUMP PUMP AND 2" CELEDEK MEDIA ARE STANDARD FEATURES. OPTIONAL FILL & DRAIN KIT AVAILABLE.
4. INDOOR UNITS DO NOT HAVE INLET LOUVERS, SOLID DOORS ARE PLACED ON THE SIDES OF THE BLOWER SECTION. THE INLET AIR IS TO BE DUCTED TO THE END OF THE BLOWER MODULE.
5. HOISTING POINTS ARE PART OF THE UNIT MOUNTING RAIL, THESE ARE NOT INTENDED FOR PERMANENT SUSPENSION.
6. FULL PERIMETER RAIL, 14 GA. G90, GALVANIZED FINISH.



PROJECT:	LOCATION:	SUBMITTAL NO.
ENGINEER:	CONTRACTOR:	AF4XXUX
UNIT TYPE:	DC-1, DE-1, DC-2, DE-2 DOWN DISCHARGE BLOWER SECTION	
SCALE: 1:20	NAME:	DATE:
DRAWN BY:	DW	5/26/2015
NET/OP. VLT (G89)	SEE TBL	

ARES
AIR REPLACEMENT ENGINEERED SYSTEMS

A DIVISION OF ESSICK AIR PRODUCTS
3328 INTERURBAN RD. DENISON TX 75020
PHONE: (903) 463-1408, (800) 288-0892, (903) 463-1235
WEBSITE: www.aresengineered.com

NOTE: ARES RESERVES THE RIGHT TO CHANGE SPECIFICATIONS AND PRODUCT DESIGN WITHOUT NOTICE. SUCH REVISIONS DO NOT ENTITLE THE BUYER TO CORRESPONDING CHANGES, IMPROVEMENTS, ADDITIONS OR REPLACEMENTS FOR PREVIOUSLY PURCHASED EQUIPMENT.