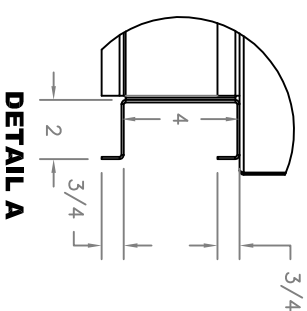


ALL UNITS ARE IN INCHES

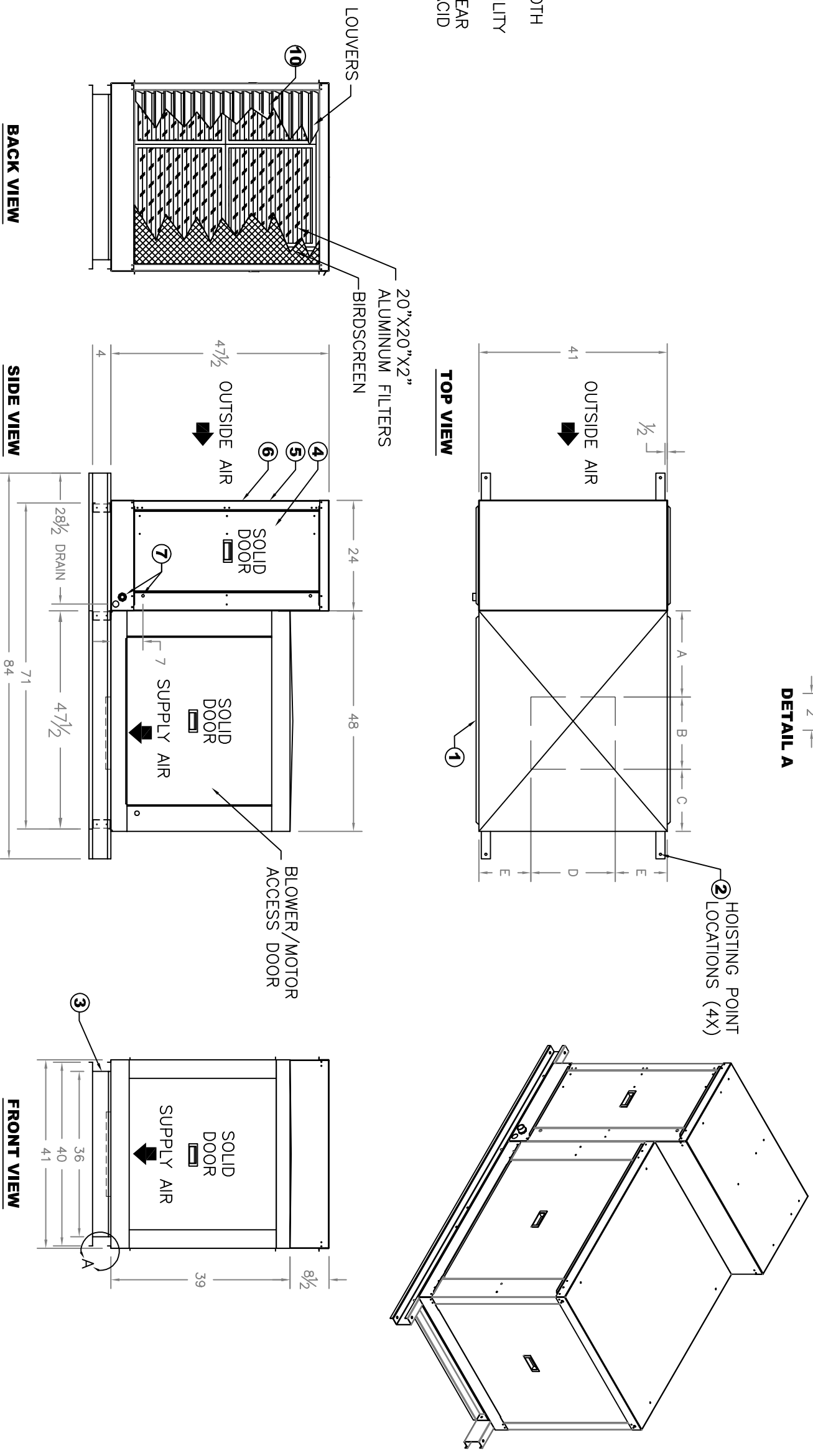
DUCT CONNECTION DIMENSIONAL DATA					
UNITS	A	B	C	D	E
DC1	18 3/4	15 5/8	13 9/16	18 5/16	11 3/8
DC2	15 9/16	18 3/4	13 5/8	21 5/8	9 11/16



- NOTE: MOTOR NOT INCLUDED IN UNIT WEIGHT
SITE PREPARATION & UNIT LOCATION
- SERVICE CLEARANCES SHALL BE THE SAME WIDTH AS THE UNIT ITSELF.
 - AVOID OVERHEAD POWER LINES, OR OTHER UTILITY ACCESS TO PREVENT CONTACT OR DAMAGE
 - DO NOT LOCATE ANY GAS FIRED EQUIPMENT NEAR CORROSIVE OR EXPLOSIVE VAPORS SUCH AS ACID OR CHLORINATED VAPORS. REFER TO LOCAL CODES AND RESTRICTIONS.

NOTES:

1. BASE UNIT CONSTRUCTED OF 20 GA. G90, GALVANIZED FINISH, (OPTIONAL) 304 STAINLESS STEEL CABINET AVAILABLE.
2. HOISTING POINTS ARE PART OF THE UNIT MOUNTING RAIL, THESE ARE NOT INTENDED FOR PERMANENT SUSPENSION,
3. FULL PERIMETER RAIL, 14 GA. G90, GALVANIZED FINISH.
4. CEV-6000 INCLUDES 12" EVAPORATIVE MEDIA AND STANDARD 304 STAINLESS STEEL CONSTRUCTION.
5. CEV-6000 STANDARD W/ 20"X20"X2" INLET FILTERS (30% EFF.)
6. CEV-6000 INCLUDES ALUMINUM INLET LOUVER/BIRDSCREEN.
7. CEV PLUMBING CONNECTIONS ARE 3/4 FPT FOR DRAIN & OVERFLOW, 3/8 MPT FOR WATER SUPPLY.
8. UNIT PROVIDED WITH ALUMINUM INTAKE LOUVER WHICH INCLUDES EXPANDED METAL BIRDSCREEN AND (6) 20"X20"X2" PRE-FILTERS ON INLET AIR STANDARD



NOTE: ARS RESERVES THE RIGHT TO CHANGE SPECIFICATIONS AND PRODUCT DESIGN WITHOUT NOTICE. SUCH REVISIONS DO NOT ENTITLE THE BUYER TO CORRESPONDING CHANGES, IMPROVEMENTS, ADDITIONS OR REPLACEMENTS FOR PREVIOUSLY PURCHASED EQUIPMENT.

PROJECT:	LOCATION:	SUBMITTAL NO.	AF4XXU1		
ENGINEER:	CONTRACTOR:	SCALE: 1:26	NAME:	DATE:	
DC-1, DC-2, DOWN DISCHARGE BLOWER AND CEV 6000 EVAP SECTION		DRAWN BY:	DW	5/26/2015	
		NET/VP VT (RS)	500	610	
<p style="text-align: center;">ARES AIR REPLACEMENT ENGINEERED SYSTEMS</p> <p style="text-align: center;">A DIVISION OF ESSICK AIR PRODUCTS 3328 INTERURBAN RD. DENISON TX 75020 PHONE: (903) 463-1408, (800) 288-0892, (903) 463-1235 WEBSITE: www.aresmkequip.com</p>					