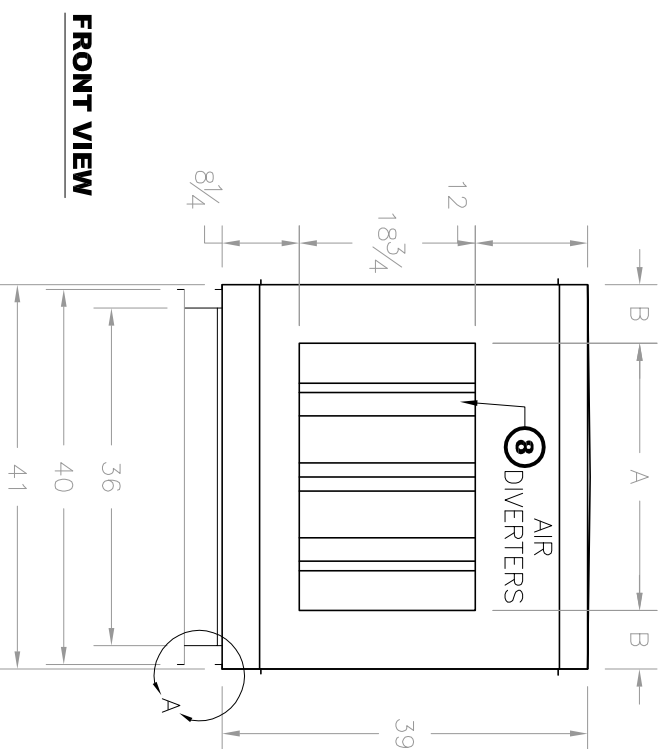
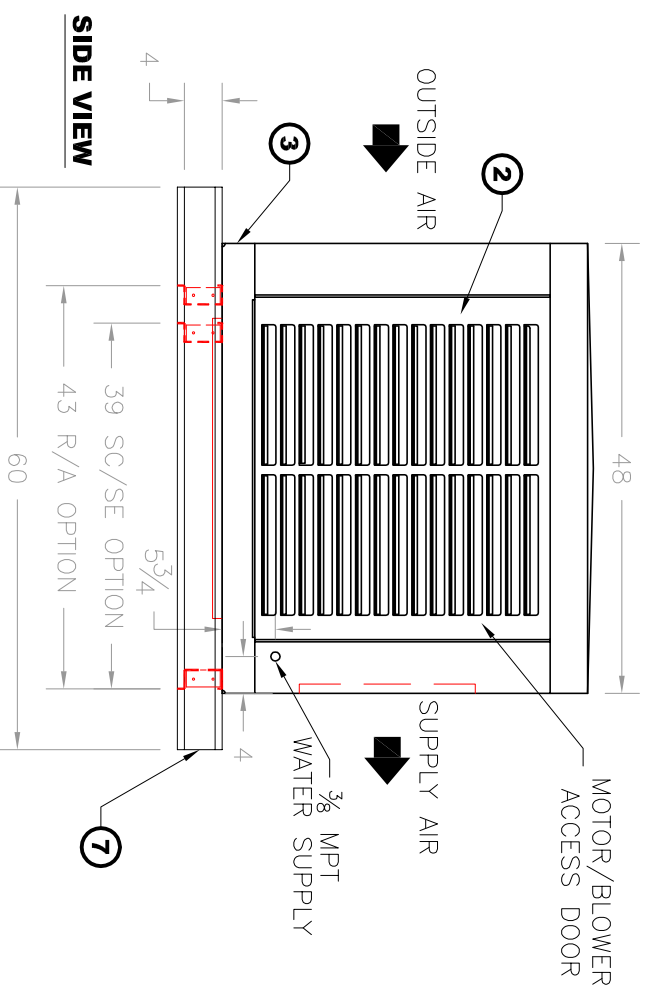
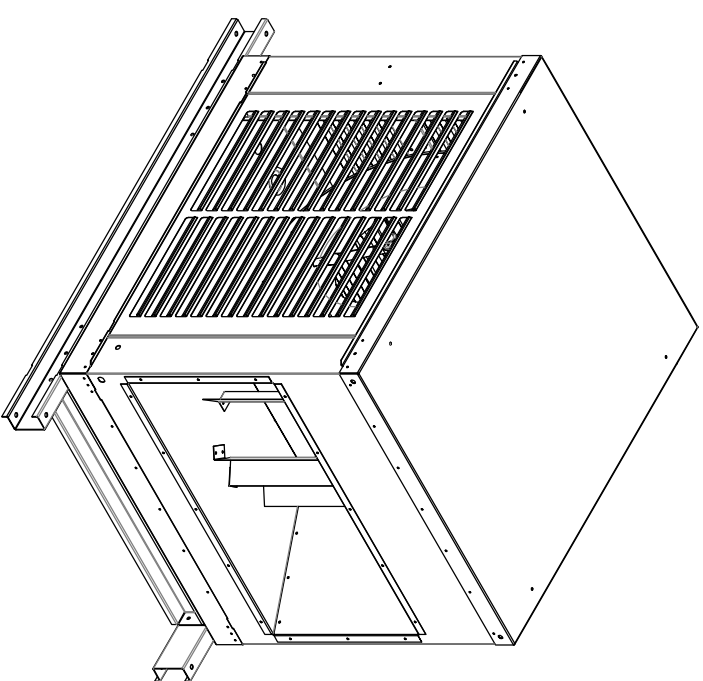
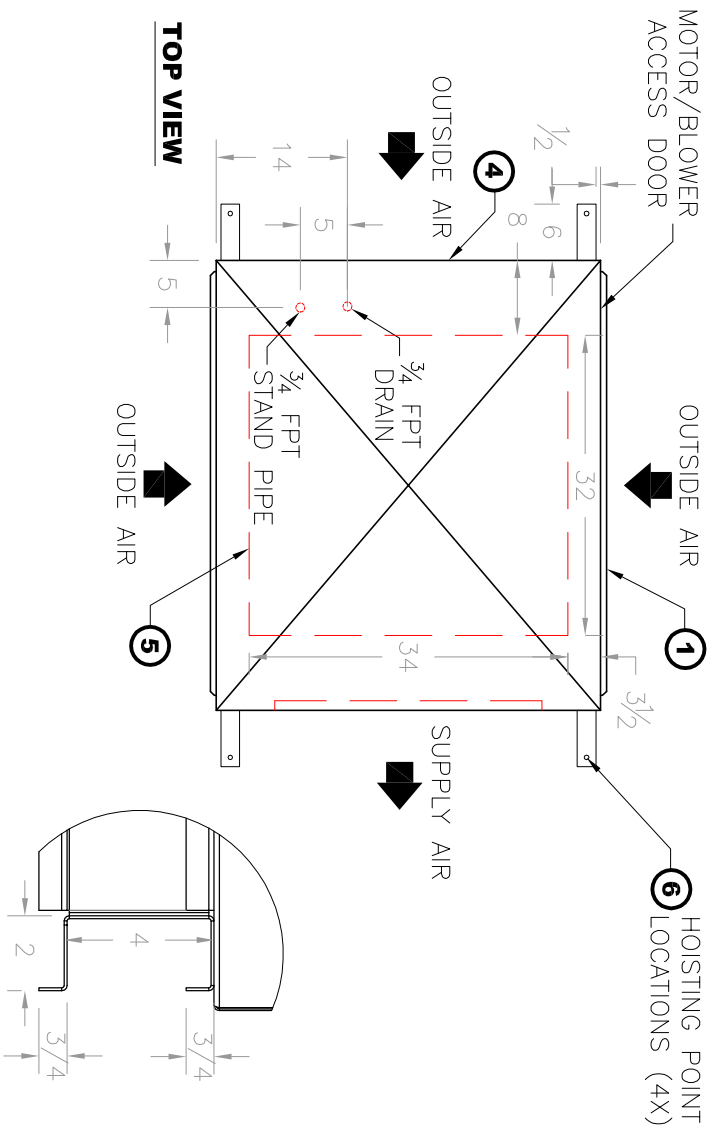


**DUCT CONNECTION
DIMENSIONAL DATA**

UNITS	A	B	MAX SC CFM	MAX SE CFM	MAX RA CFM	MAX R/A CFM
SC-1/SE-1	28 1/2"	6 1/4"	6000	6000	5000	5000
SC-2/SE-2	37 1/4"	1 7/8"	10000	8000	5000	5000

WEIGHT DATA

UNITS	SC-1	SE-1	SC-2	SE-2
NET	280	280	350	350
OP	280	425	350	480



- NOTE: MOTOR NOT INCLUDED IN UNIT WEIGHT
- SITE PREPARATION & UNIT LOCATION
- SERVICE CLEARANCES SHALL BE THE SAME WIDTH AS THE UNIT ITSELF.
 - AVOID OVERHEAD POWER LINES, OR OTHER UTILITY ACCESS TO PREVENT CONTACT OR DAMAGE
 - DO NOT LOCATE ANY GAS FIRED EQUIPMENT NEAR CORROSIVE OR EXPLOSIVE VAPORS SUCH AS ACID OR CHLORINATED VAPORS. REFER TO LOCAL CODES AND RESTRICTIONS.

- NOTES:
- BASE UNIT CONSTRUCTED OF 20 GA. G90, GALVANIZED FINISH, (OPTIONAL) 304 STAINLESS STEEL CABINET AVAILABLE.
 - NON-EVAP. UNITS COME WITH STANDARD T/A FILTERS, 50% EFFICIENCY FILTERS ARE AVAILABLE (OPTIONAL).
 - STANDARD EVAP. UNITS, SE (OPTIONAL) INCLUDE 300 SERIES SS SUMP (12YR. RUST WARRANTY), SUMP PUMP AND 2" CELDEK MEDIA ARE STANDARD FEATURES. OPTIONAL FILL & DRAIN KIT AVAILABLE.
 - INDOOR UNITS DO NOT HAVE INLET LOUVERS, SOLID DOORS ARE PLACED ON THE SIDES OF THE BLOWER SECTION. THE INLET AIR IS TO BE DUCTED TO THE END OF THE BLOWER MODULE.
 - (OPTIONAL) R/A OPENING SHOWN. RETURN AIR OPENING IS 32"x34", IT INCLUDES (4) 16"x16"x1" T/A FILTERS AS STANDARD.
 - HOISTING POINTS ARE PART OF THE UNIT MOUNTING RAIL, THESE ARE NOT INTENDED FOR PERMANENT SUSPENSION.
 - FULL PERIMETER RAIL, 14 GA. G90, GALVANIZED FINISH.
 - AIR DIVERSERS USED ON SC2 & SE2 BLOWERS ONLY.

PROJECT:	LOCATION:	SUBMITTAL NO.	AF4XXXXX	
ENGINEER:	CONTRACTOR:	SCALE: 1:20	NAME	DATE
UNIT TYPE:	SC-1, SE-1, SC-2, SE-2	DRAWN BY:	DW	5/22/2015
STANDARD BLOWER SECTION		NET/OP WT (LBS)	SEE TBL.	
<p>ARES</p> <p>AIR REPLACEMENT ENGINEERED SYSTEMS</p> <p>A DIVISION OF ESSICK AIR PRODUCTS</p> <p>3328 INTERURBAN RD. DENVER, TX 75020</p> <p>PHONE: (903) 463-1408, (800) 288-0992, (903) 463-1235</p> <p>WEBSITE: www.aresmdequipdtr.com</p>				

NOTE: ARES RESERVES THE RIGHT TO CHANGE SPECIFICATIONS AND PRODUCT DESIGN WITHOUT NOTICE. SUCH REVISIONS DO NOT ENTITLE THE BUYER TO CORRESPONDING CHANGES, IMPROVEMENTS, ADDITIONS OR REPLACEMENTS FOR PREVIOUSLY PURCHASED EQUIPMENT.