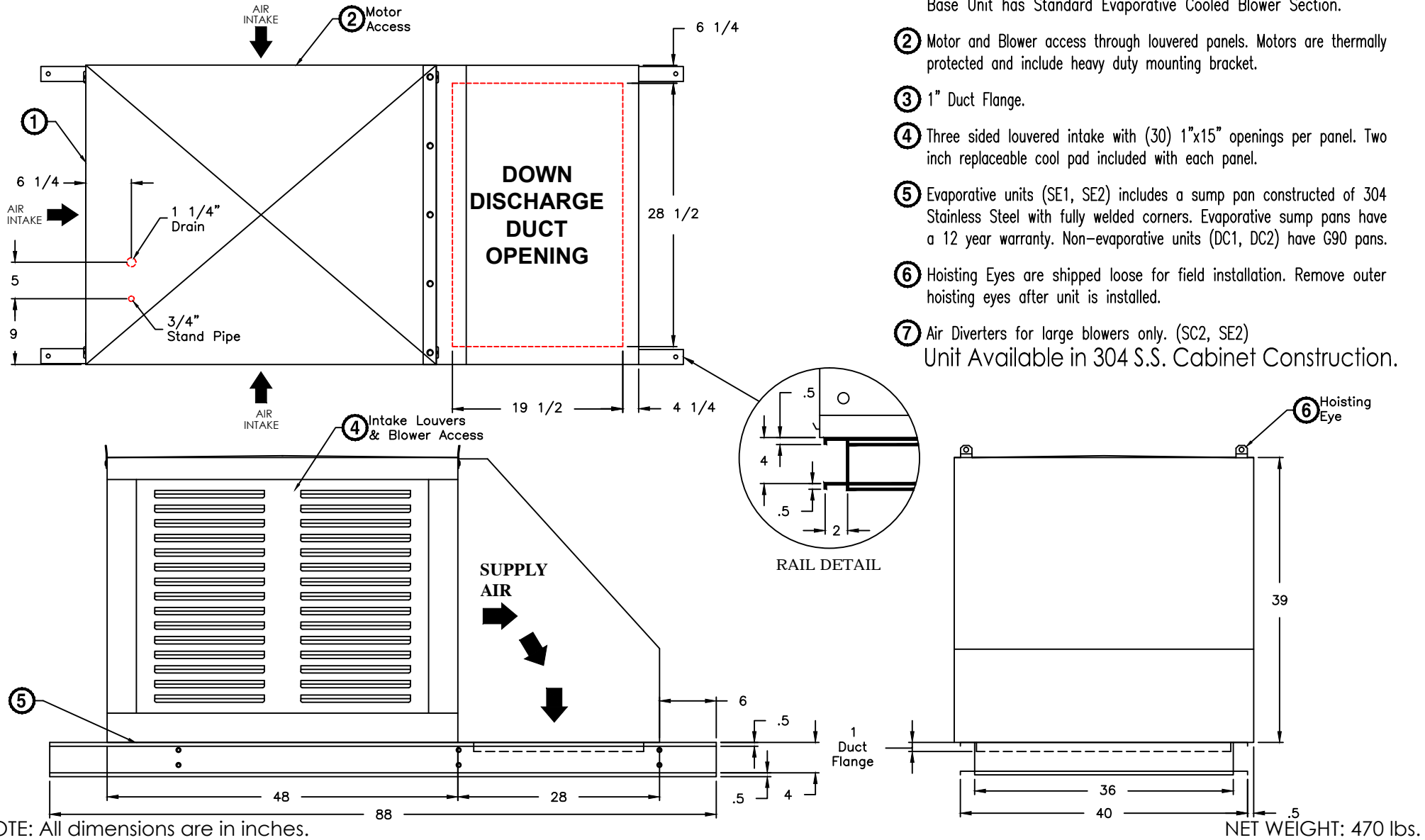


SC-1, SE-1, SC-2, SE-2 BLOWER SECTION WITH DOWN DISCHARGE PLENUM

NOTES:

- ① Base Unit Constructed of 20 ga. G90, Galvanized Finish. Base Unit has Standard Evaporative Cooled Blower Section.
- ② Motor and Blower access through louvered panels. Motors are thermally protected and include heavy duty mounting bracket.
- ③ 1" Duct Flange.
- ④ Three sided louvered intake with (30) 1"x15" openings per panel. Two inch replaceable cool pad included with each panel.
- ⑤ Evaporative units (SE1, SE2) includes a sump pan constructed of 304 Stainless Steel with fully welded corners. Evaporative sump pans have a 12 year warranty. Non-evaporative units (DC1, DC2) have G90 pans.
- ⑥ Hoisting Eyes are shipped loose for field installation. Remove outer hoisting eyes after unit is installed.
- ⑦ Air Diverters for large blowers only. (SC2, SE2)
Unit Available in 304 S.S. Cabinet Construction.



PROJECT:	LOCATION:	
ENGINEER:	ARCHITECT:	
CONTRACTOR:	DATE:	PAGE: _____ of _____

ARES
AIR REPLACEMENT ENGINEERED SYSTEMS
WEB SITE: www.specair.net