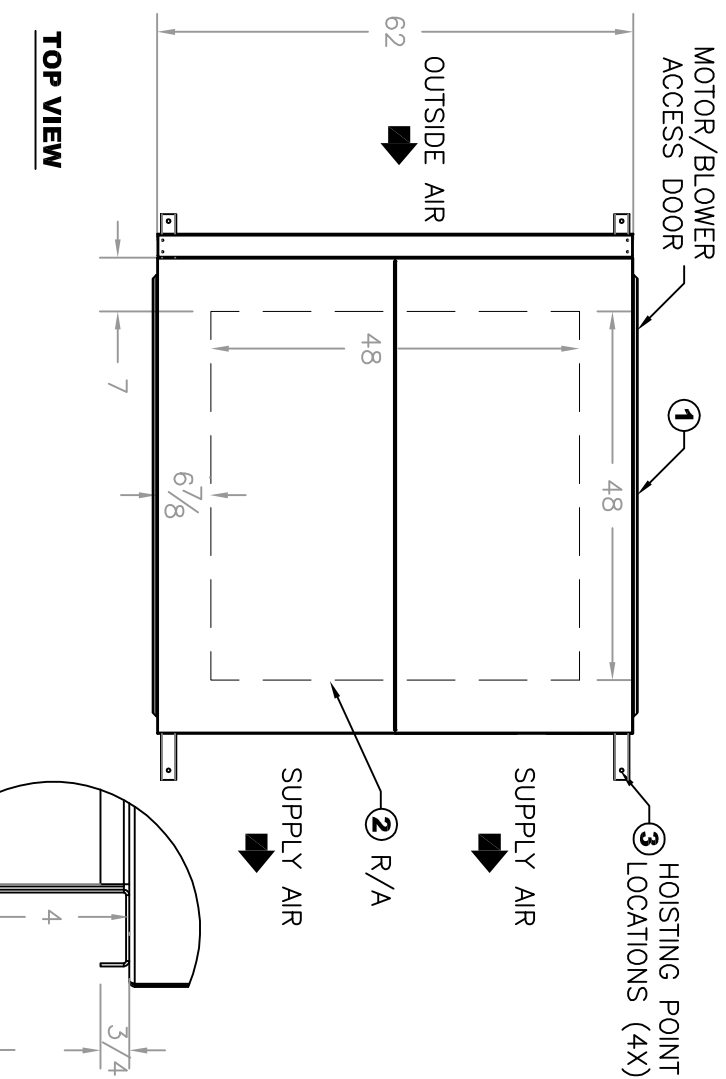
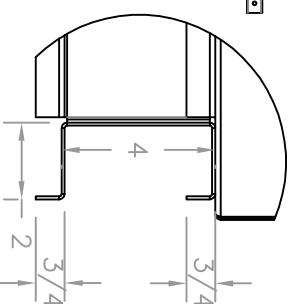


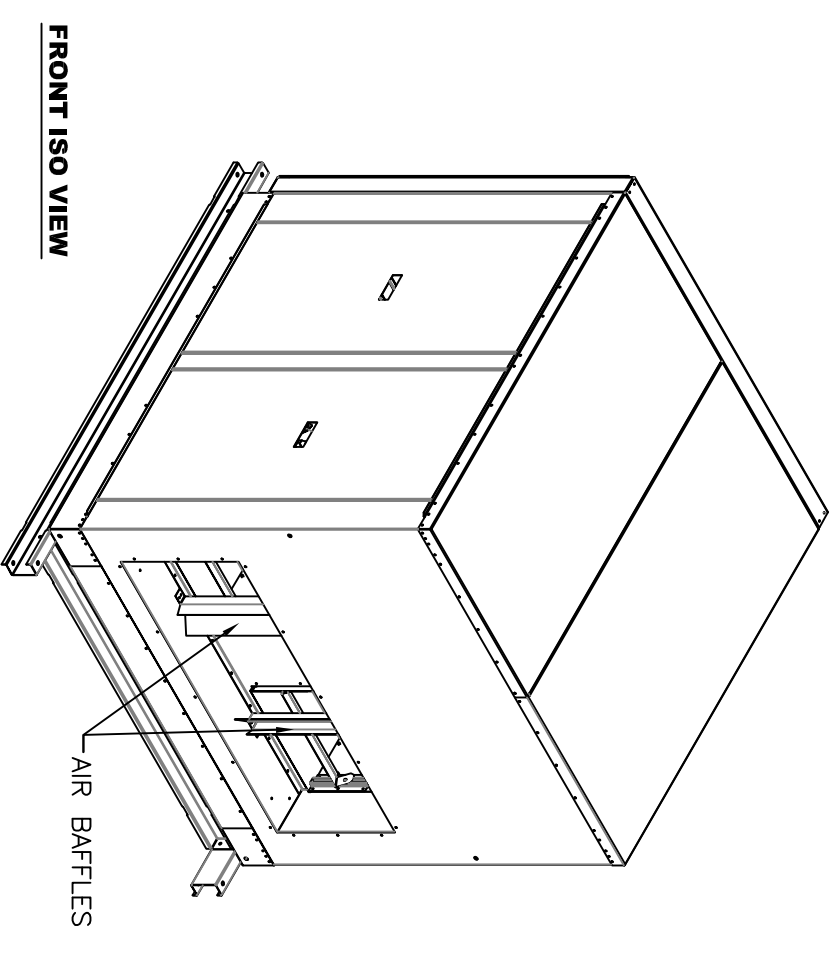
REAR ISO VIEW



TOP VIEW



DETAIL A



FRONT ISO VIEW

| SC-3 PERFORMANCE DATA | |
|------------------------------|--------------------|
| MINIMUM CFM | MAXIMUM CFM |
| 10,000 CFM | 16,000 CFM |

ALL DIMENSIONS ARE IN INCHES

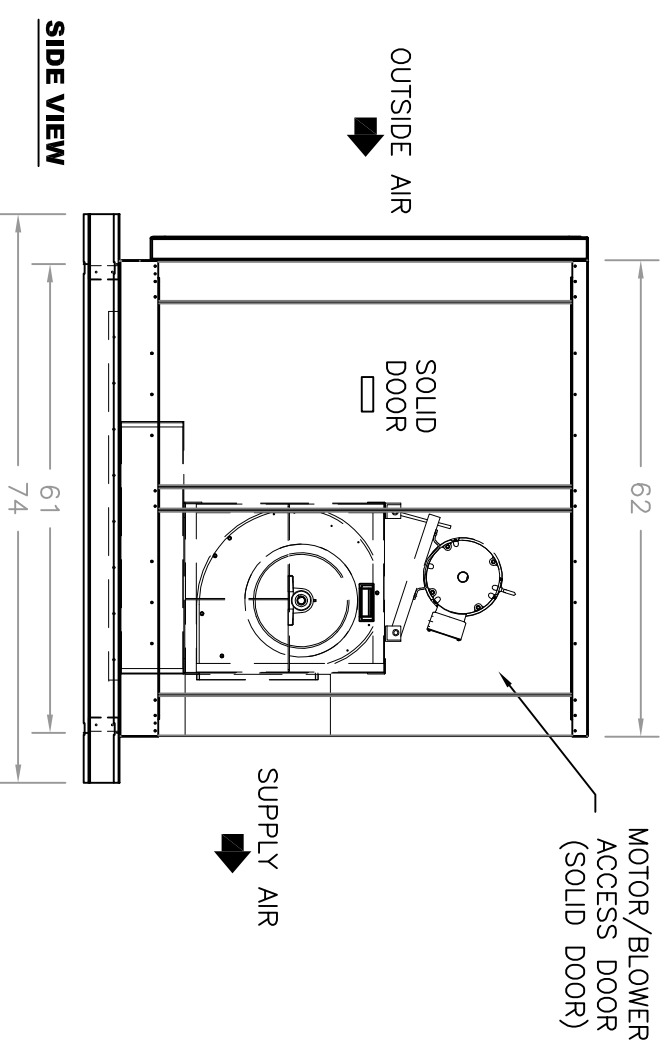
NOTE: MOTOR NOT INCLUDED IN UNIT WEIGHT
SITE PREPARATION & UNIT LOCATION

- SERVICE CLEARANCES SHALL BE THE SAME WIDTH AS THE UNIT ITSELF.
- AVOID OVERHEAD POWER LINES, OR OTHER UTILITY ACCESS TO PREVENT CONTACT OR DAMAGE
- DO NOT LOCATE ANY GAS FIRED EQUIPMENT NEAR CORROSIVE OR EXPLOSIVE VAPORS SUCH AS ACID OR CHLORINATED VAPORS. REFER TO LOCAL CODES AND RESTRICTIONS.

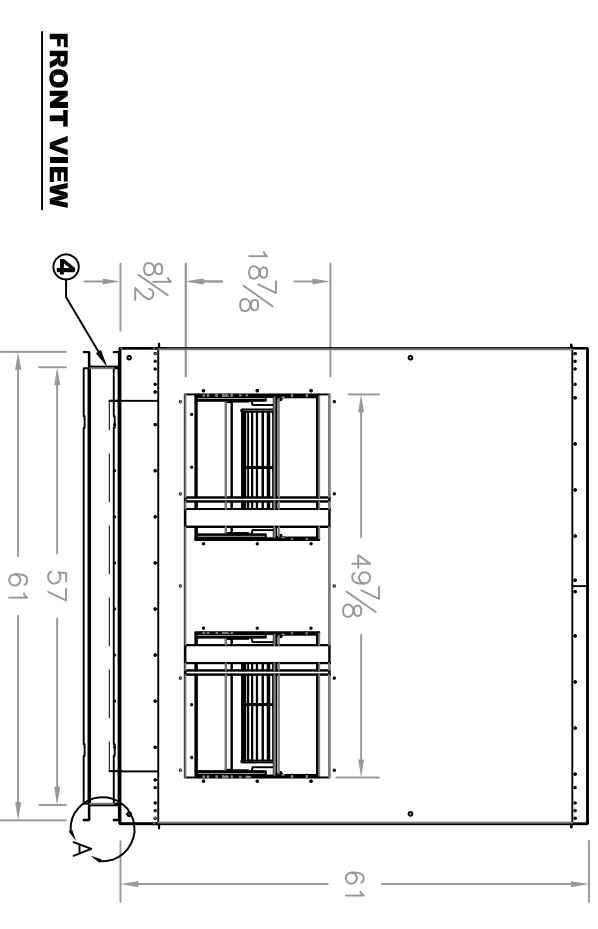
NOTES:

1. BASE UNIT CONSTRUCTED OF 18 GA. G90, GALVANIZED FINISH, (OPTIONAL) 304 STAINLESS STEEL CABINET AVAILABLE.
2. (OPTIONAL) R/A OPENING SHOWN. RETURN AIR OPENING IS 48"X48", IT INCLUDES T/A FILTERS AS STANDARD. RETURN AIR MAX CFM 10,400.
3. HOISTING POINTS ARE PART OF THE UNIT MOUNTING RAIL, THESE ARE NOT INTENDED FOR PERMANENT SUSPENSION.
4. FULL PERIMETER RAIL, 14 GA. G90, GALVANIZED FINISH.

NOTE: ARES RESERVES THE RIGHT TO CHANGE SPECIFICATIONS AND PRODUCT DESIGN WITHOUT NOTICE. SUCH REVISIONS DO NOT ENTITLE THE BUYER TO CORRESPONDING CHANGES, IMPROVEMENTS, ADDITIONS OR REPLACEMENTS FOR PREVIOUSLY PURCHASED EQUIPMENT.



SIDE VIEW



FRONT VIEW

| | | | | | |
|------------|-------------|----------------|---------|-----------|--|
| PROJECT: | LOCATION: | SUBMITTAL NO. | AF6XXXX | | |
| ENGINEER: | CONTRACTOR: | SCALE: 1:25 | NAME: | DATE: | |
| SC3 BLOWER | | DRAWN BY: | DW | 4/22/2016 | |
| | | NET/VP VT (US) | 475 | | |

ARES
A DIVISION OF ESSICK AIR PRODUCTS
3328 INTERURBAN RD. DENISON TX 75020
PHONE: (903) 463-1408, (800) 288-0892, (903) 463-1235
WEBSITE: www.aresmkequip.com