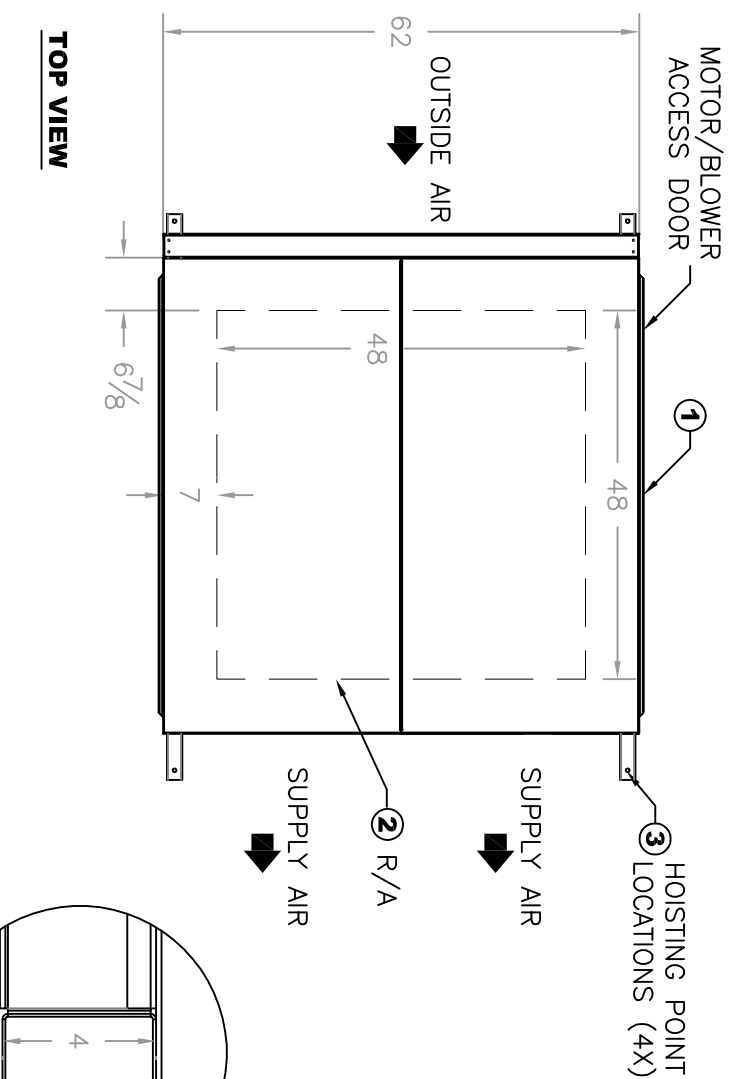
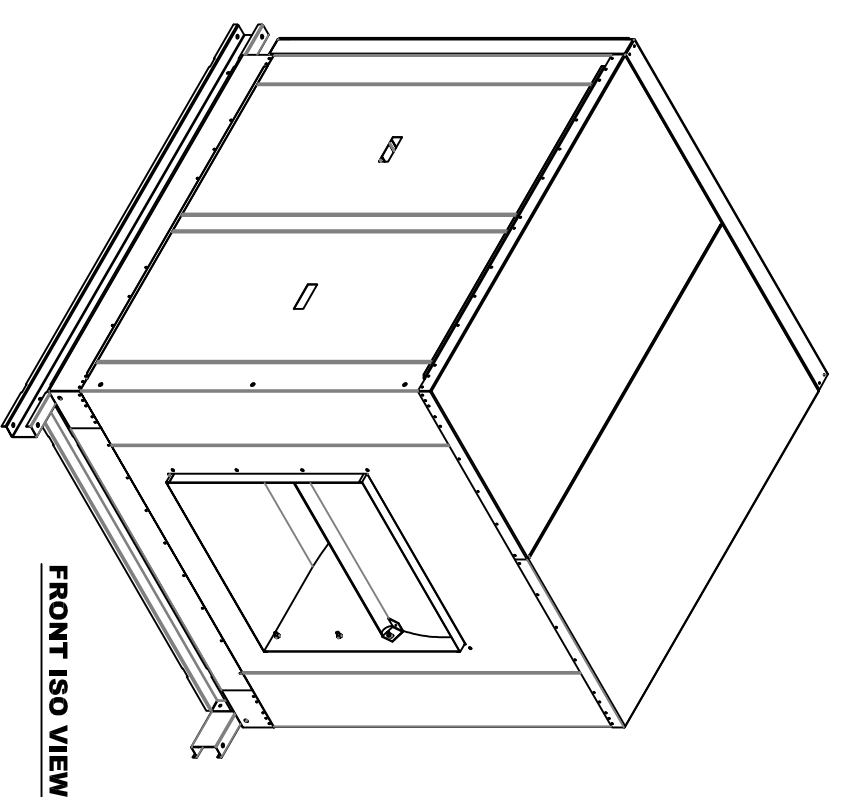


REAR ISO VIEW



TOP VIEW



FRONT ISO VIEW

ALL DIMENSIONS ARE IN INCHES

SC-4 PERFORMANCE DATA	
MINIMUM CFM	MAXIMUM CFM
14,000 CFM	24,000 CFM

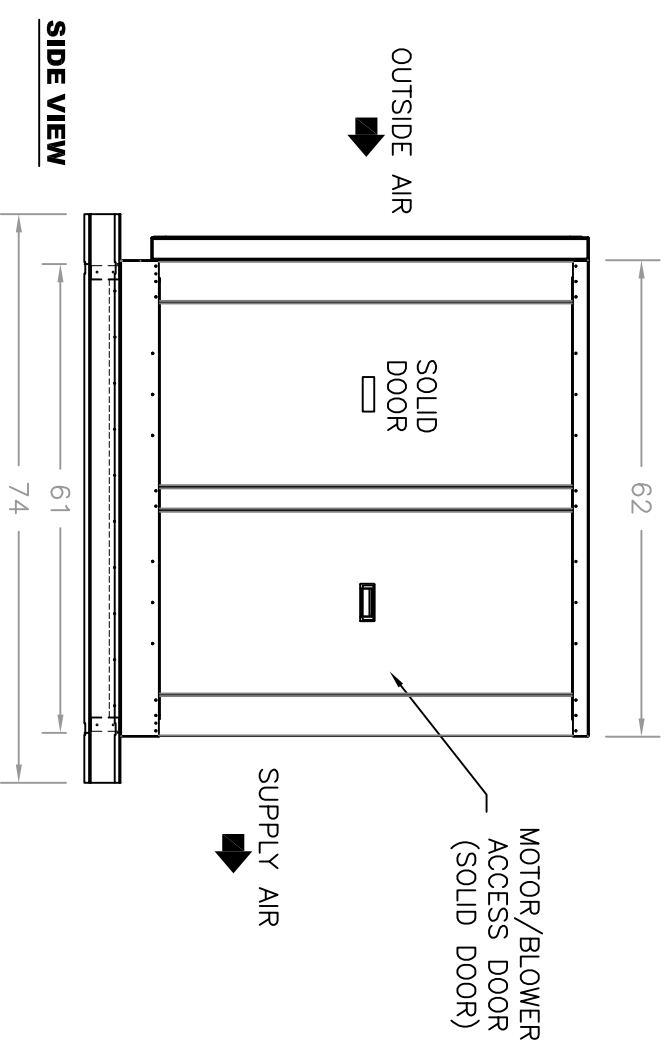
NOTE: MOTOR NOT INCLUDED IN UNIT WEIGHT
SITE PREPARATION & UNIT LOCATION

- SERVICE CLEARANCES SHALL BE THE SAME WIDTH AS THE UNIT ITSELF.
- AVOID OVERHEAD POWER LINES, OR OTHER UTILITY ACCESS TO PREVENT CONTACT OR DAMAGE
- DO NOT LOCATE ANY GAS FIRED EQUIPMENT NEAR CORROSIVE OR EXPLOSIVE VAPORS SUCH AS ACID OR CHLORINATED VAPORS. REFER TO LOCAL CODES AND RESTRICTIONS.

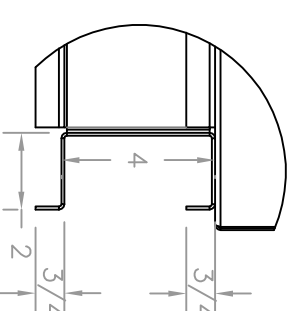
NOTES:

1. BASE UNIT CONSTRUCTED OF 18 GA. G90, GALVANIZED FINISH, (OPTIONAL) 304 STAINLESS STEEL CABINET AVAILABLE.
2. (OPTIONAL) R/A OPENING SHOWN. RETURN AIR OPENING IS 48"X48", IT INCLUDES T/A FILTERS AS STANDARD. RETURN AIR MAX CFM 10,400.
3. HOISTING POINTS ARE PART OF THE UNIT MOUNTING RAIL, THESE ARE NOT INTENDED FOR PERMANENT SUSPENSION.
4. FULL PERIMETER RAIL, 14 GA. G90, GALVANIZED FINISH.

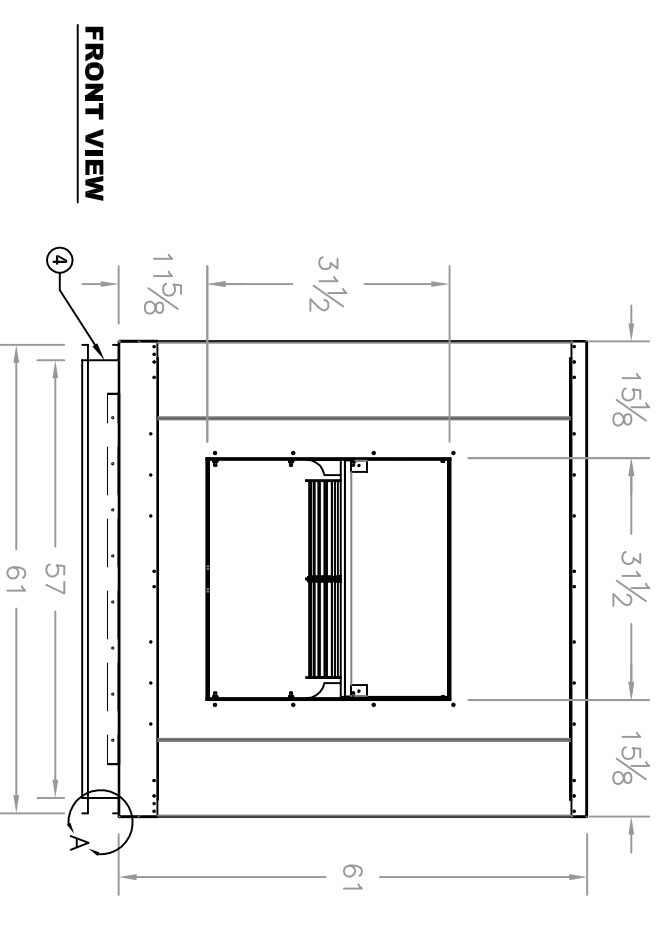
NOTE: ARES RESERVES THE RIGHT TO CHANGE SPECIFICATIONS AND PRODUCT DESIGN WITHOUT NOTICE. SUCH REVISIONS DO NOT ENTITLE THE BUYER TO CORRESPONDING CHANGES, IMPROVEMENTS, ADDITIONS OR REPLACEMENTS FOR PREVIOUSLY PURCHASED EQUIPMENT.



SIDE VIEW



DETAIL A



FRONT VIEW

PROJECT:	LOCATION:	SUBMITTAL NO.	AF7XXXX		
ENGINEER:	CONTRACTOR:	SCALE: 1:25	NAME:	DATE:	
SC4 BLOWER		DRAWN BY:	DW	5/29/2015	
		NET/VP VT (RS)	630		

ARES
A DIVISION OF ESSICK AIR PRODUCTS
AIR REPLACEMENT ENGINEERED SYSTEMS

3328 INTERURBAN RD. DENISON TX 75020
PHONE: (903) 463-1408, (800) 288-0892, (903) 463-1235
WEBSITE: www.aresmkequip.com