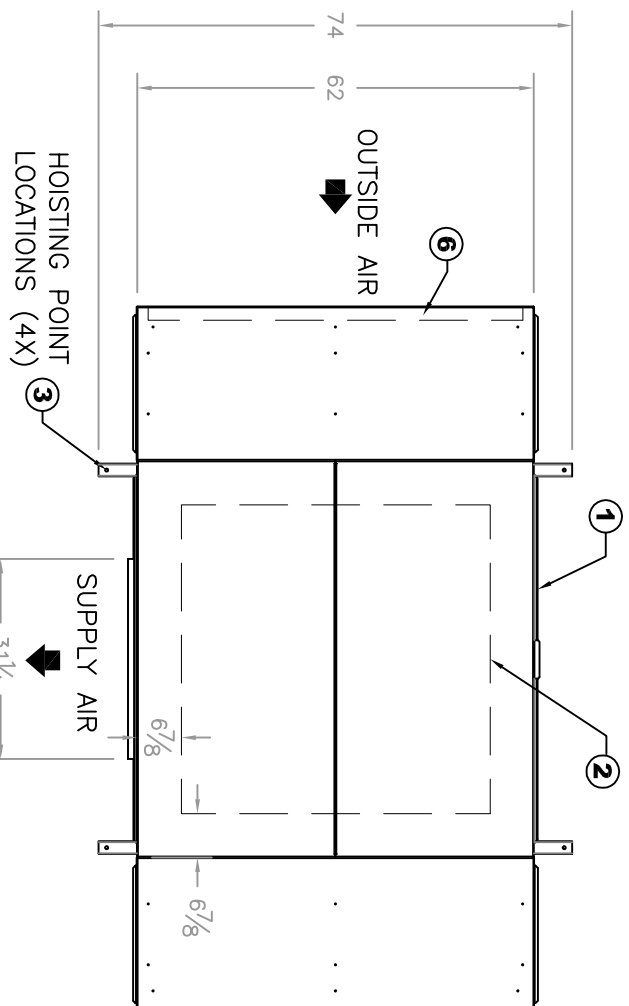


NOTE: MOTOR NOT INCLUDED IN UNIT WEIGHT
SITE PREPARATION & UNIT LOCATION

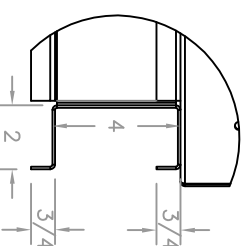
- SERVICE CLEARANCES SHALL BE THE SAME WIDTH AS THE UNIT ITSELF.
- AVOID OVERHEAD POWER LINES, OR OTHER UTILITY ACCESS TO PREVENT CONTACT OR DAMAGE
- DO NOT LOCATE ANY GAS FIRED EQUIPMENT NEAR CORROSIVE OR EXPLOSIVE VAPORS SUCH AS ACID OR CHLORINATED VAPORS. REFER TO LOCAL CODES AND RESTRICTIONS.

NOTES:

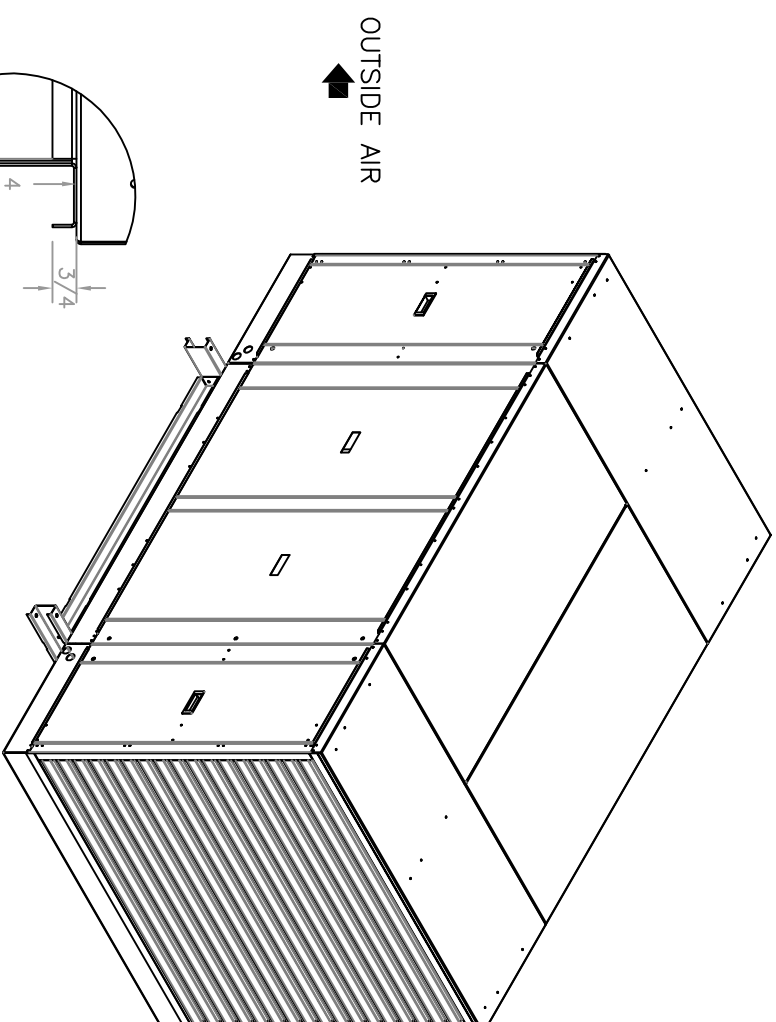
1. BASE UNIT CONSTRUCTED OF 18 GA. G90, GALVANIZED FINISH, (OPTIONAL) 304 STAINLESS STEEL CABINET AVAILABLE.
2. OPTIONAL R/A OPENING SHOWN. RETURN AIR OPENING IS 48"X48", IT INCLUDES (9) 18"X20"X1" T/A FILTERS AS STANDARD. HOISTING POINTS ARE PART OF THE UNIT MOUNTING RAIL, THESE ARE NOT INTENDED FOR PERMANENT SUSPENSION,
3. FULL PERIMETER RAIL, 14 GA. G90, GALVANIZED FINISH.
4. CEV-12000 INCLUDES 12" EVAPORATIVE MEDIA AND STANDARD 304 STAINLESS STEEL CONSTRUCTION.
5. CEV-12000 STANDARD W/ 18"X20"X2" INLET FILTERS (30% EFF.)
6. CEV-12000 INCLUDES ALUMINUM INLET LOUVER/BIRDSCREEN.
7. CEV PLUMBING CONNECTIONS ARE 3/4 FPT FOR DRAIN & OVERFLOW, 3/8 MPT FOR WATER SUPPLY.
8. UNIT PROVIDED WITH ALUMINUM INTAKE LOUVER WHICH INCLUDES EXPANDED METAL BIRDSCREEN AND (9) 18"X20"X2" PRE-FILTERS ON INLET AIR STANDARD.
- 9.



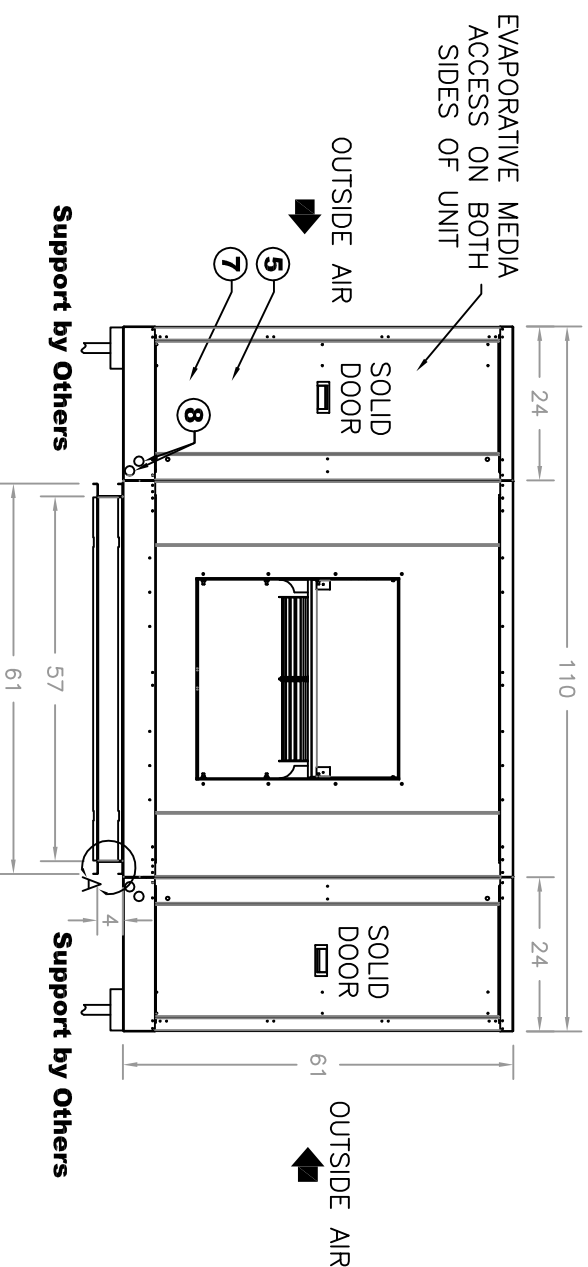
TOP VIEW



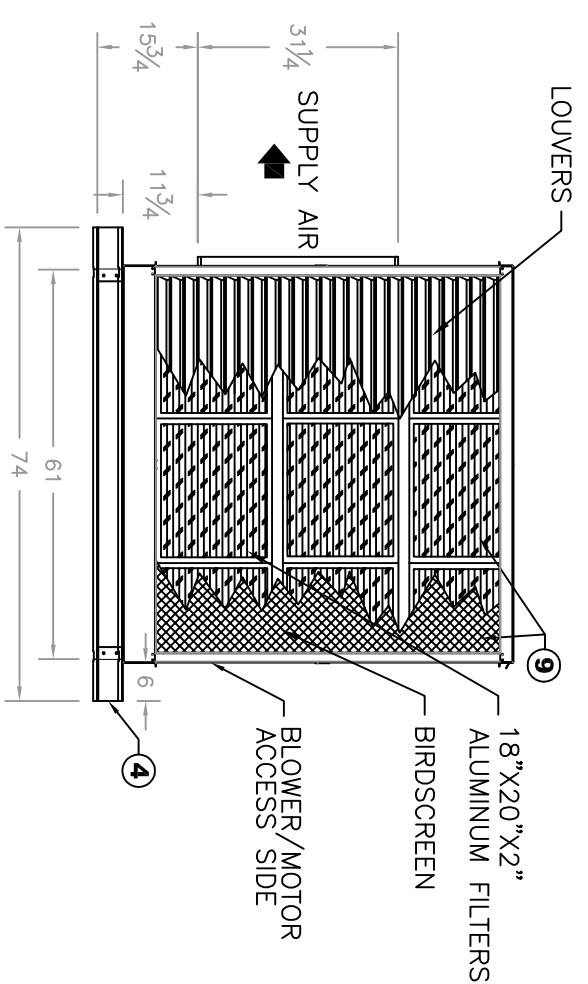
DETAIL A



ISO VIEW



FRONT VIEW



END VIEW

PROJECT:	LOCATION:	SUBMITTAL NO.	SCALE: 1:30		
ENGINEER:	CONTRACTOR:	AF7XXXX4	NAME:	DATE:	<p>ARES A DIVISION OF ESSICK AIR PRODUCTS 3328 INTERURBAN RD. DENISON TX 75020 PHONE: (903) 463-1408, (800) 288-0892, (903) 463-1235 WEBSITE: www.aresmkequip.com</p>
UNIT TYPE:			DRAWN BY:	DW	
DUAL CEV-12000, SC-4, DLB-925 12" MEDIA			NET/VP VT (L&S)	1175	
EVAP COOLER W/RAIL				1425	

NOTE: ARS RESERVES THE RIGHT TO CHANGE SPECIFICATIONS AND PRODUCT DESIGN WITHOUT NOTICE. SUCH REVISIONS DO NOT ENTITLE THE BUYER TO CORRESPONDING CHANGES, IMPROVEMENTS, ADDITIONS OR REPLACEMENTS FOR PREVIOUSLY PURCHASED EQUIPMENT.