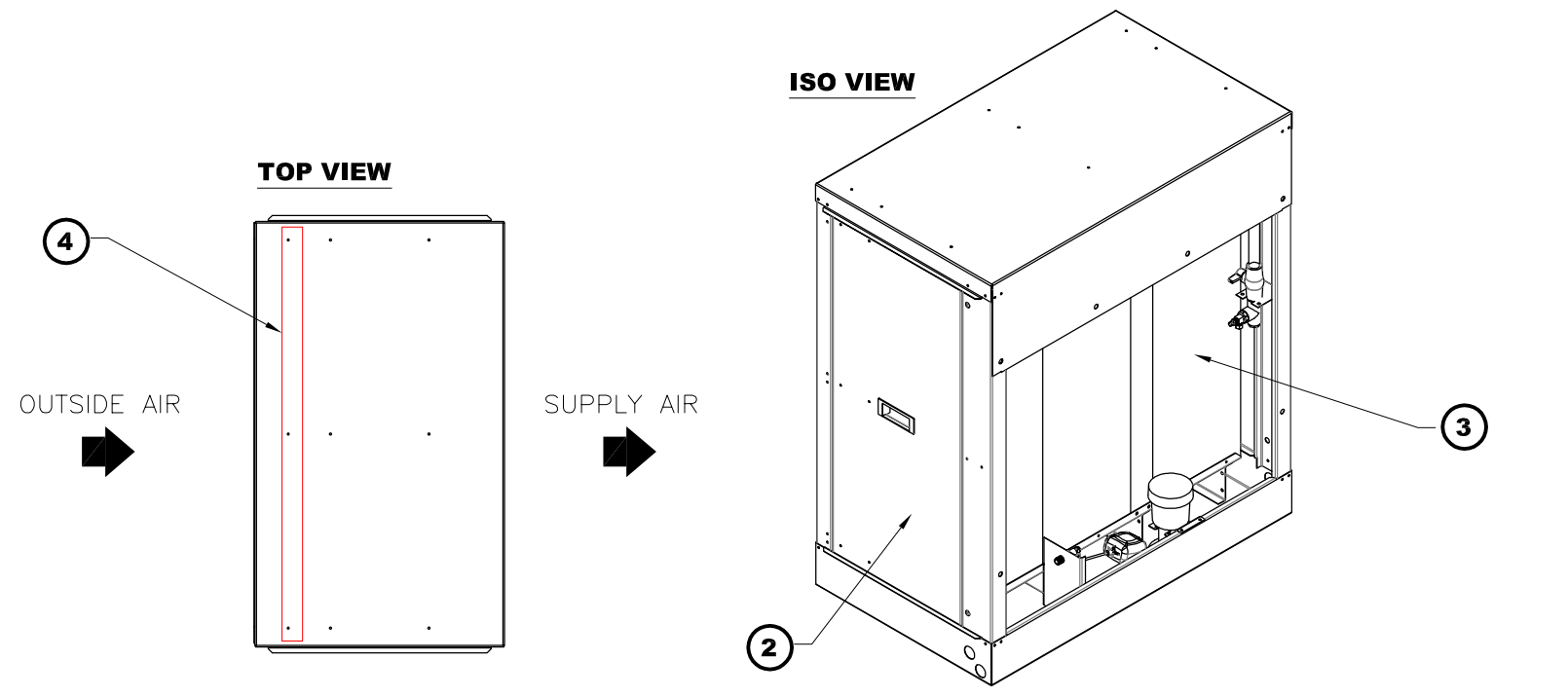
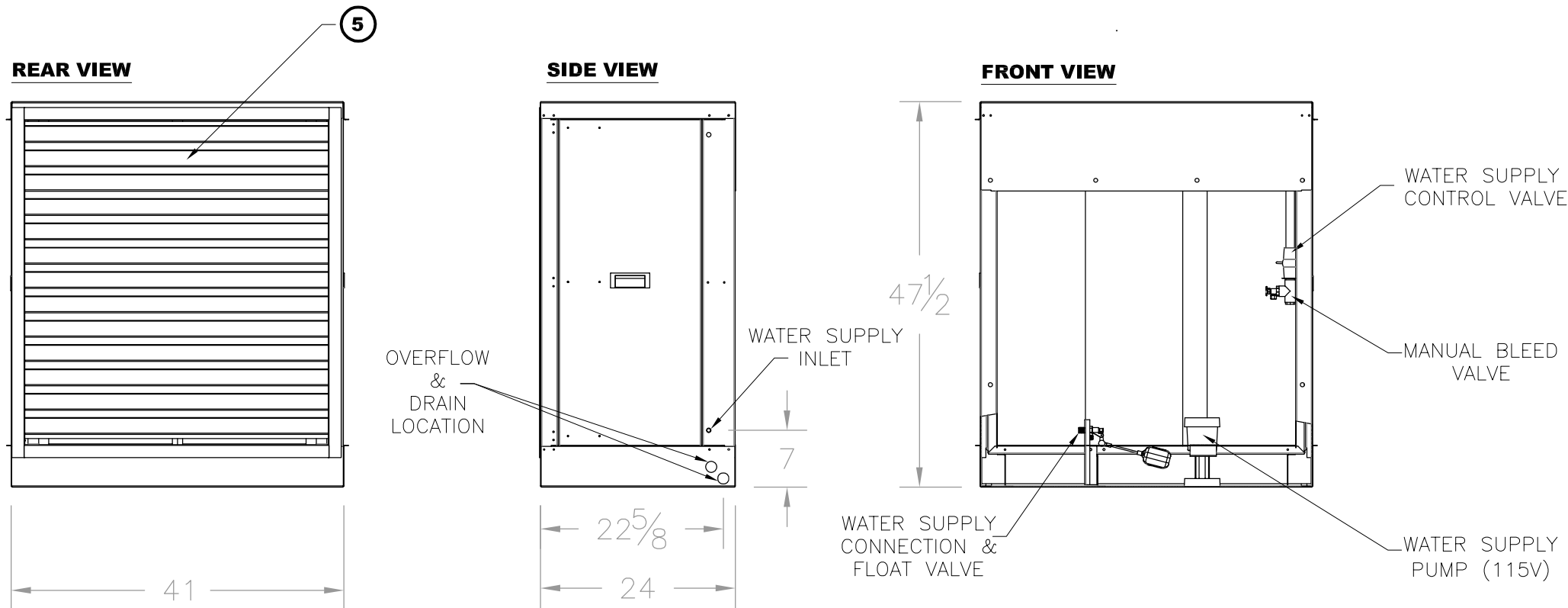


**EVAP. MODULE CAPACITY
6,000 CFM**

ALL DIMENSIONS ARE IN INCHES



PLUMBING CONNECTIONS		
DRAIN	OVERFLOW	WATER SUPPLY
3/4" FNPT	3/4" FNPT	3/8" COMPRESSION



SITE PREPARATION & UNIT LOCATION

- SERVICE CLEARANCES SHALL BE THE SAME WIDTH AS THE UNIT ITSELF.
- AVOID OVERHEAD POWER LINES, OR OTHER UTILITY ACCESS TO PREVENT CONTACT OR DAMAGE
- DO NOT LOCATE ANY GAS FIRED EQUIPMENT NEAR CORROSIVE OR EXPLOSIVE VAPORS SUCH AS ACID OR CHLORINATED VAPORS. REFER TO LOCAL CODES AND RESTRICTIONS.

NOTES:

1. STANDARD 304 STAINLESS STEEL CONSTRUCTION.
2. MEDIA AND FILTER ACCESS ON BOTH SIDES OF EVAP. MODULE
3. 12" RIGID CELLULOSE MEDIA STANDARD OPTIONAL FIBERGLASS MEDIA AVAILABLE
4. CEV-6000 STANDARD W/ 20"X20"X2" INLET FILTERS (30% EFF.)
5. CEV-6000 INCLUDES ALUMINUM INLET LOUVER WITH BIRDSCREEN.
6. DRAIN/OVERFLOW CONNECTION LOCATIONS ARE TYPICAL ON BOTH SIDES OF EVAP. MODULE AS WELL AS WATER SUPPLY LOCATIONS.

NOTE: ARES RESERVES THE RIGHT TO CHANGE SPECIFICATIONS AND PRODUCT DESIGN WITHOUT NOTICE. SUCH REVISIONS DO NOT ENTITLE THE BUYER TO CORRESPONDING CHANGES, IMPROVEMENTS, ADDITIONS OR REPLACEMENTS FOR PREVIOUSLY PURCHASED EQUIPMENT.

PROJECT: -	LOCATION: -	SUBMITTAL NO. AF5XXX1	
ENGINEER:	CONTRACTOR:	SCALE: Custom	NAME
UNIT TYPE: HIGH EFFICIENCY EVAPORATIVE MODULE CEV 6000		DRAWN BY:	DATE
		NET/OP WT (LBS)	200 400

ARES
AIR REPLACEMENT ENGINEERED SYSTEMS
A DIVISION OF ESSICK AIR PRODUCTS
3328 INTERURBAN RD. DENISON TX 75020
PHONE: (903) 463-1408, (800) 288-0892, (903) 463-1235
WEBSITE: www.aresmakeupair.com