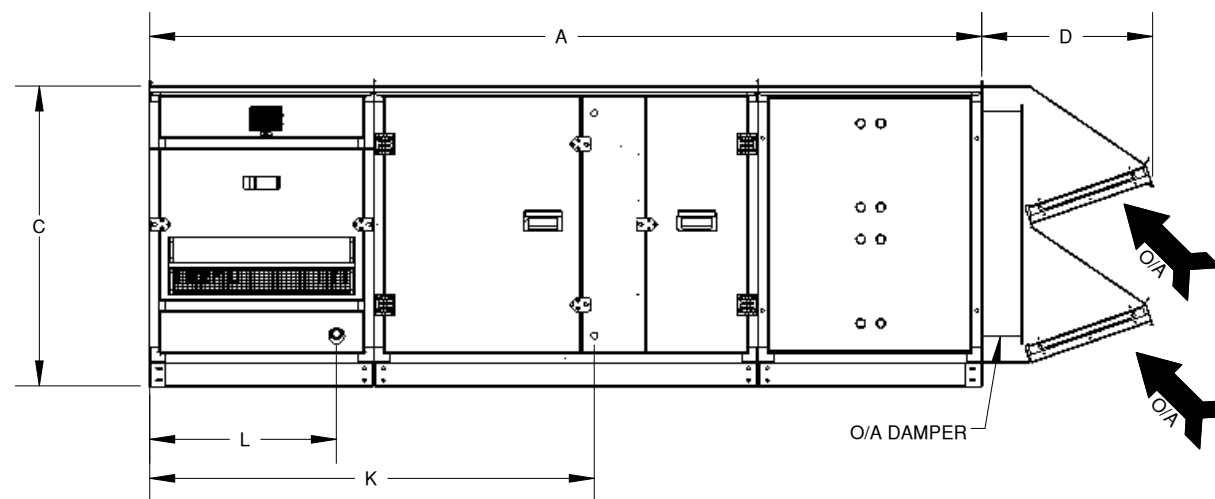
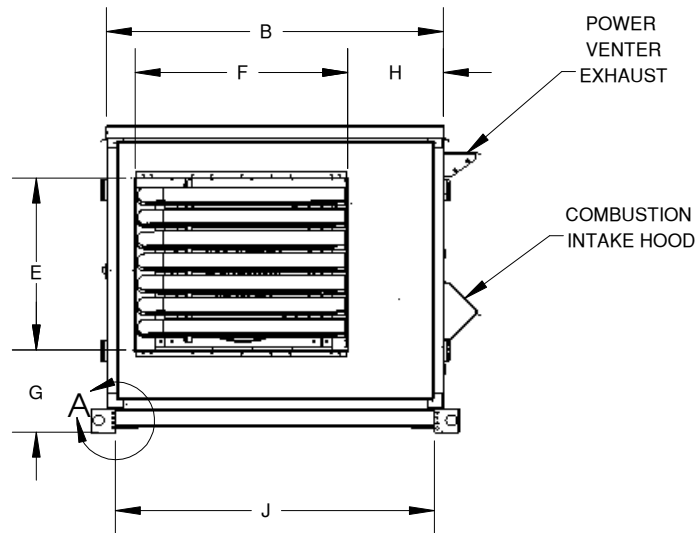
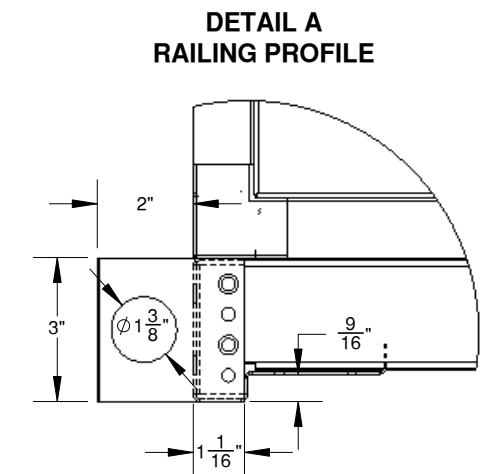
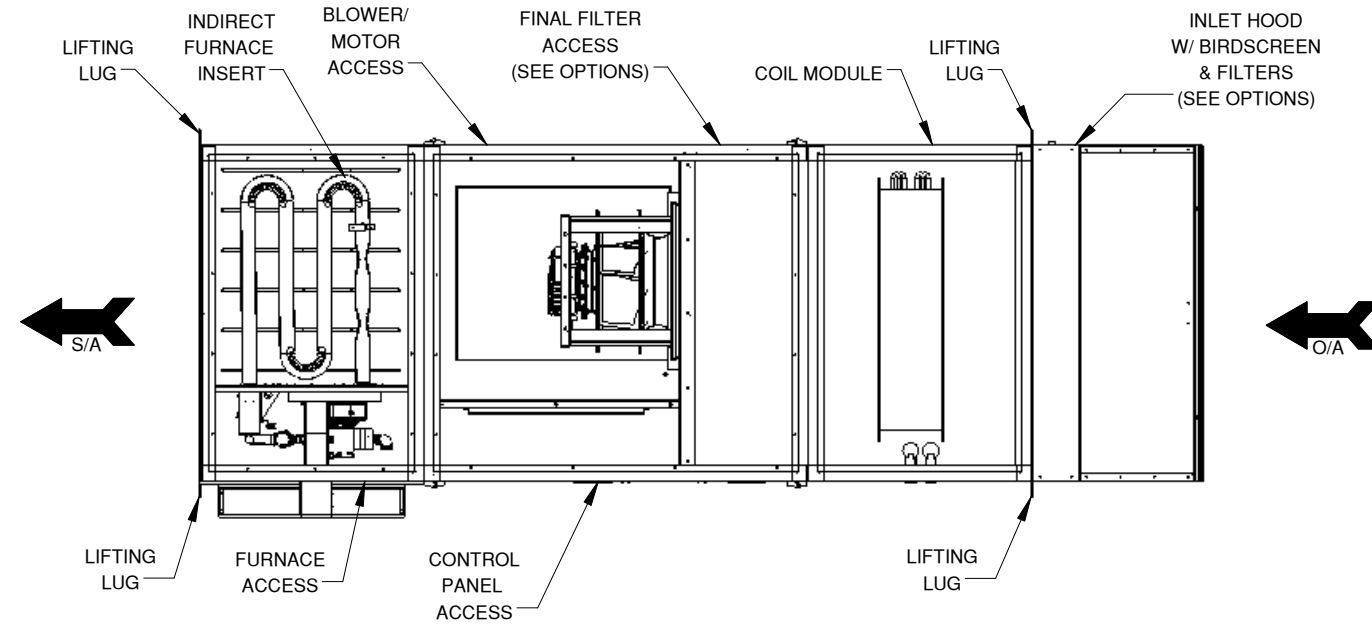


DIMENSIONAL DATA													
MODEL NO	CABINET			HOOD DIM	DUCT OPENING		DUCT LOCATION		RAILING	ELECTRIC SERVICE	GAS SERVICE	WEIGHT	
	A	B	C	D	E	F	G	H	J	K	L	NET	OPR
ARS-030	104	42	37-9/16	21-3/8	21-1/2	26-1/2	10	12	39-3/4	55-9/16	23	885	885
ARS-070	104	48-1/4	55-1/16	28-5/16	30-1/2	26-1/2	14	18-3/16	46	58-7/8	23	1230	1230
ARS-100	126	60-1/4	60-5/16	29-7/8	44-1/2	32-1/2	16	13-9/16	58	68-3/4	23	1865	1865

SITE PREPARATION & UNIT LOCATION

- SERVICE CLEARANCES SHALL BE THE SAME WIDTH AS THE UNIT ITSELF, EXCEPT THE SUPPLY END WHICH IS A MINIMUM OF 18".
- AVOID OVERHEAD POWER LINES, OR OTHER UTILITY ACCESS TO PREVENT CONTACT OR DAMAGE.
- SEE IOM FOR DETAILED SITE PREPARATIONS AND INSTALLATION.

FILTER OPTIONS						
MODEL NO	INLET FILTERS			2" FINAL FILTERS		
	QTY	SIZE	TYPE	QTY	SIZE	TYPE
ARS-30	4	16" X 20"	1" ALUM 2" ALUM	4	16" X 20"	MERV 8 MERV 13
ARS-70	4	24" X 24"	1" ALUM 2" ALUM	6	16" X 24"	MERV 8 MERV 13
ARS-100	6	20" X 25"	1" ALUM 2" ALUM	6	20" X 25"	MERV 8 MERV 13



E				
D				
C				
B				
A				
REV.	DESCRIPTION	DATE	BY	ECN#

ARES RESERVES THE RIGHT TO CHANGE SPECIFICATIONS AND PRODUCT DESIGN WITHOUT NOTICE. SUCH REVISIONS DO NOT ENTITLE THE BUYER TO CORRESPONDING CHANGES, IMPROVEMENTS, ADDITIONS OR REPLACEMENTS FOR PREVIOUSLY PURCHASED EQUIPMENT.

SUBMITTAL NO.		
APF1AXAH1		
SCALE:	NAME	DATE
DRAWN BY:	DW	12/21/2016

