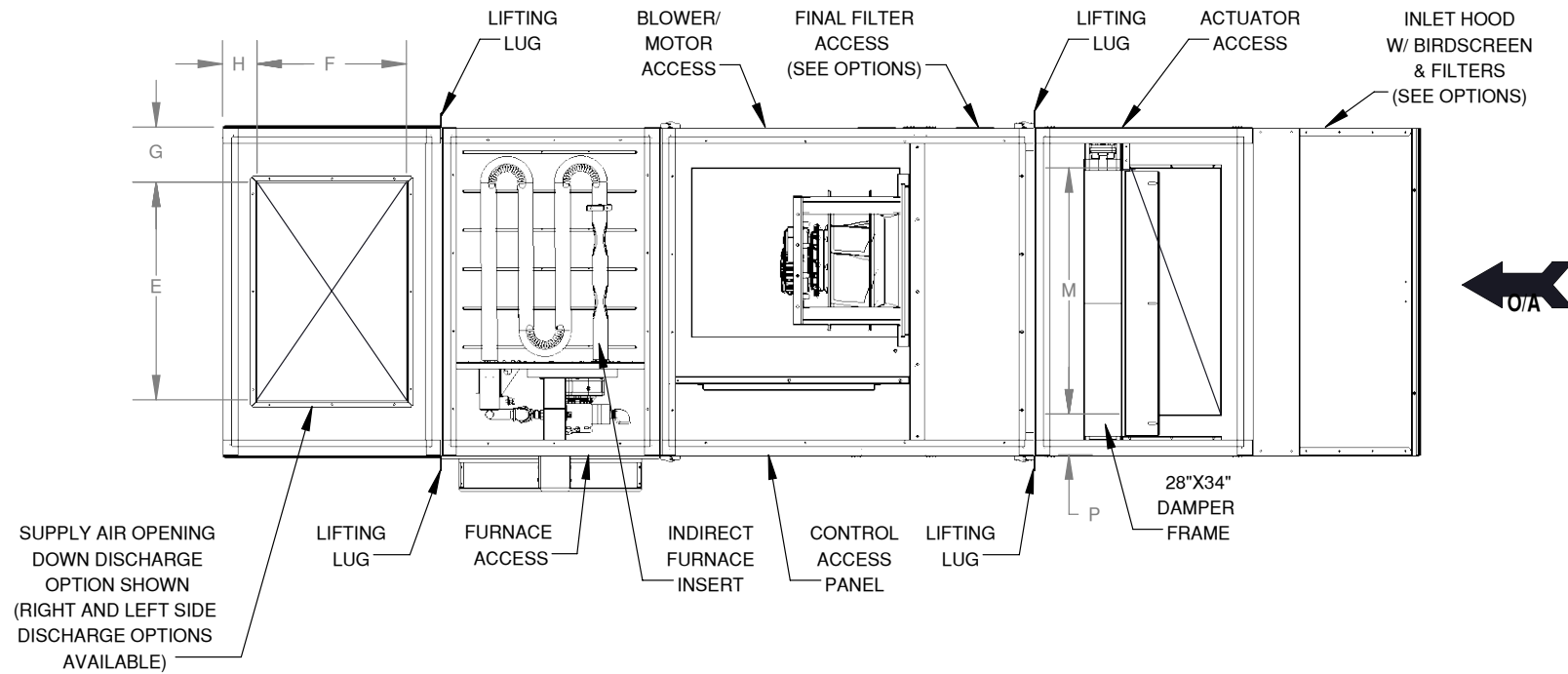


DIMENSIONAL DATA																	
MODEL NO	CABINET			HOOD DIM	DUCT OPENING		DUCT LOCATION		RAILING	ELECTRIC SERVICE	GAS SERVICE	RETURN AIR OPENING		RETURN AIR LOCATION		WEIGHT	
	A	B	C	D	E	F	G	H	J	K	L	M	N	P	Q	NET	OPR
ARS-030	132	42	37-9/16	21-3/8	28-1/4	19-1/2	7-1/16	4-7/16	39-3/4	83-9/16	51	31-1/2	11-3/4	4-1/8	4-1/8	1075	1075
ARS-070	140	48-1/4	55-1/16	28-5/16*	35-3/4	19-1/2	5-1/4	5-1/8	46	86-7/8	51	37-3/4	17-3/4	5-1/4	4-3/16	1465	1465
ARS-100	158	60-1/4	60-5/16	29-7/8*	49-3/4	19-1/2	6-1/8	4-1/16	58	92-3/4	51	49-3/4	17-3/4	5-1/4	4-3/16	2150	2150

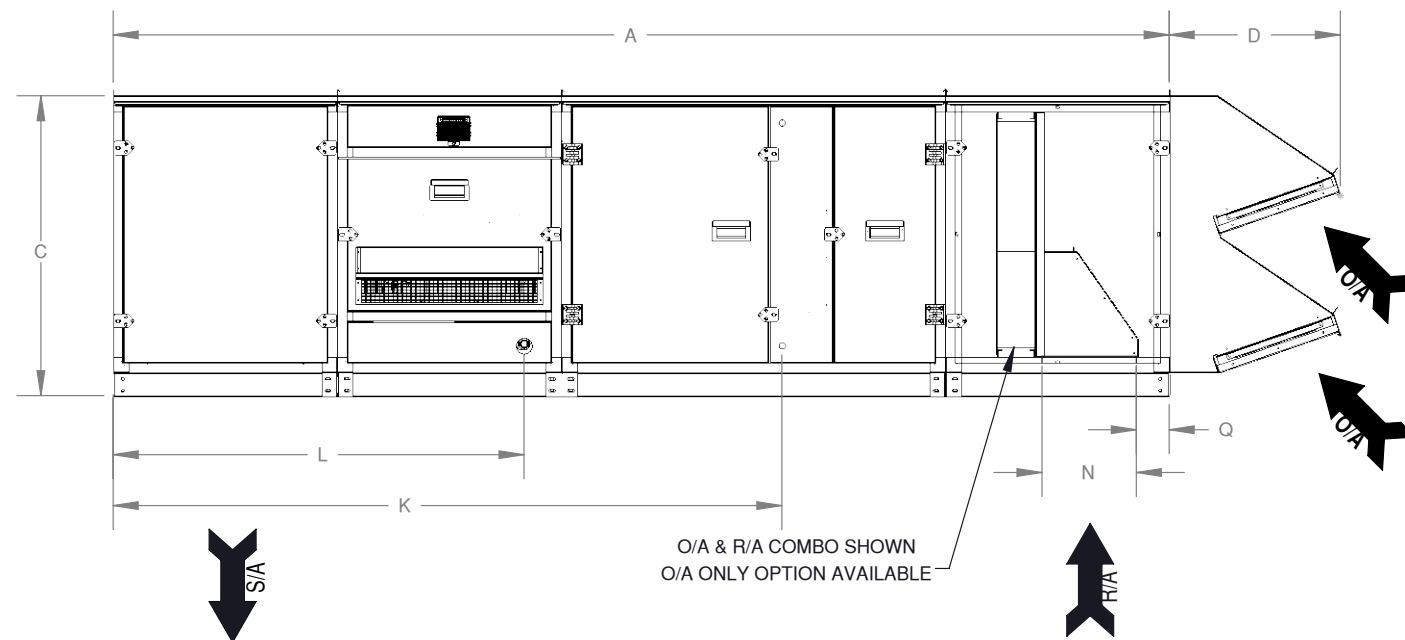
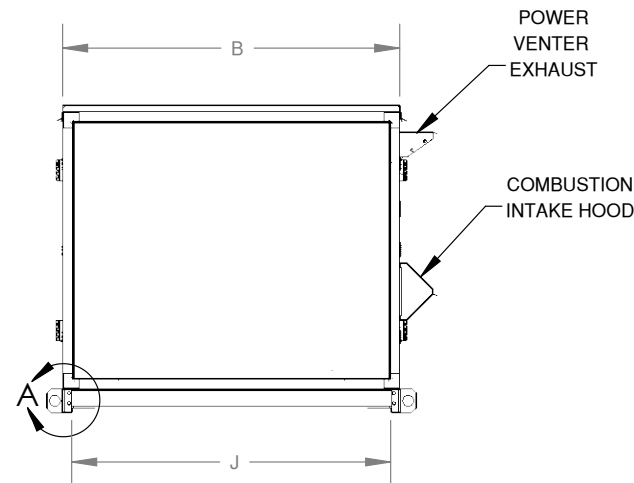
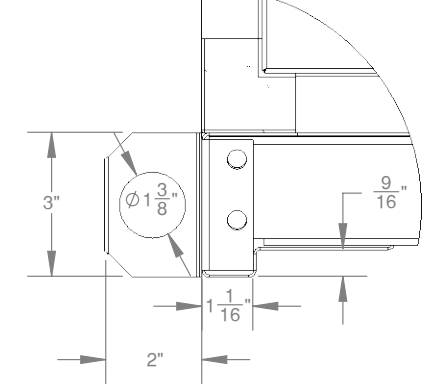
SITE PREPARATION & UNIT LOCATION

- “ SERVICE CLEARANCES SHALL BE THE SAME WIDTH AS THE UNIT ITSELF, EXCEPT THE SUPPLY END WHICH IS A MINIMUM OF 18”.
- “ AVOID OVERHEAD POWER LINES, OR OTHER UTILITY ACCESS TO PREVENT CONTACT OR DAMAGE.
- “ SEE IOM FOR DETAILED SITE PREPARATIONS AND INSTALLATION.
- “ (*) INDICATES RAIN HOOD TO BE SHIPPED LOOSE AND FIELD INSTALLED BY INSTALLING CONTRACTOR

FILTER OPTIONS						
MODEL NO	INLET FILTERS			2" FINAL FILTERS		
	QTY	SIZE	TYPE	QTY	SIZE	TYPE
ARS-30	4	16" X 20"	1" ALUM 2" ALUM	4	16" X 20"	MERV 8 MERV 13
ARS-70	4	24" X 24"	1" ALUM 2" ALUM	6	16" X 24"	MERV 8 MERV 13
ARS-100	6	20" X 25"	1" ALUM 2" ALUM	6	20" X 25"	MERV 8 MERV 13



DETAIL A
RAILING PROFILE
SCALE 1 : 4



E				
D				
C				
B				
A				
REV.	DESCRIPTION	DATE	BY	ECN#

ARES RESERVES THE RIGHT TO CHANGE SPECIFICATIONS AND PRODUCT DESIGN WITHOUT NOTICE. SUCH REVISIONS DO NOT ENTITLE THE BUYER TO CORRESPONDING CHANGES, IMPROVEMENTS, ADDITIONS OR REPLACEMENTS FOR PREVIOUSLY PURCHASED EQUIPMENT.

SUBMITAL NO.		APF1AXXD2	
SCALE: 1:24	NAME	DATE	
DRAWN BY:	DW	01/03/2017	

