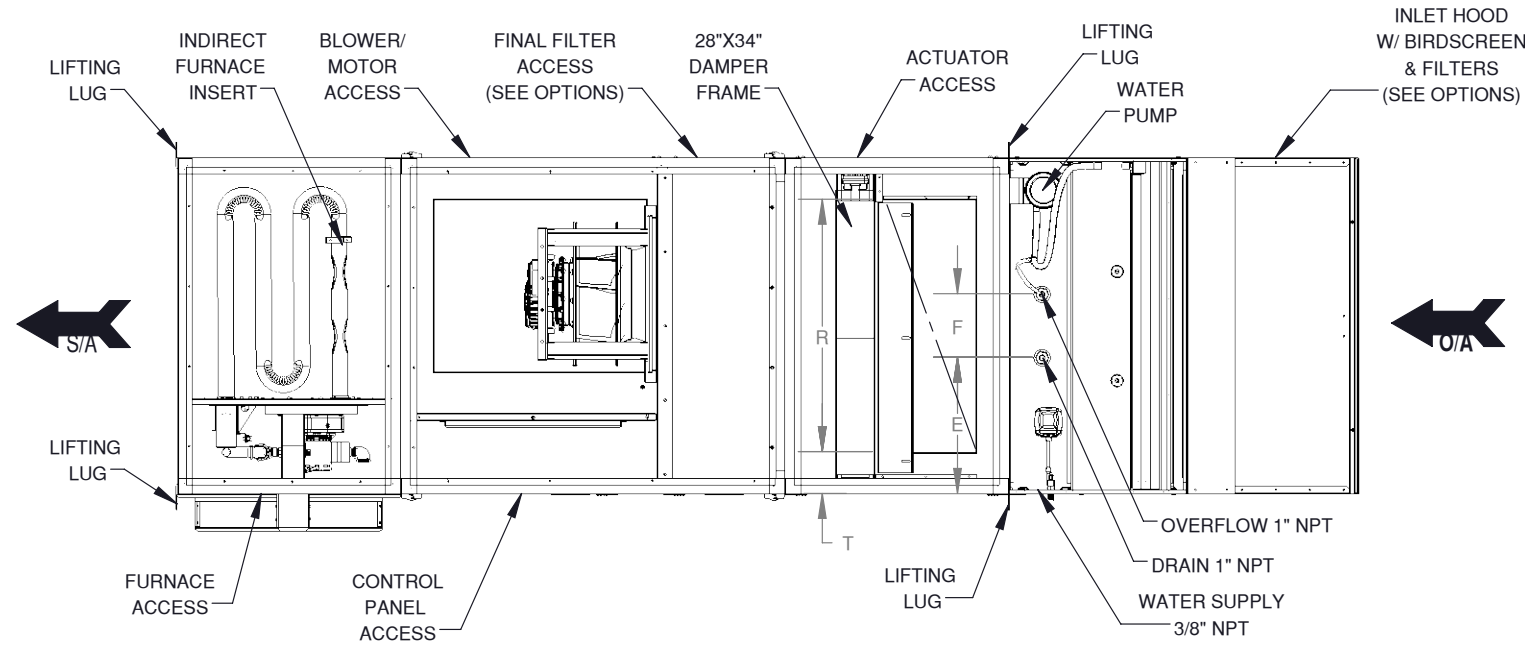


DIMENSIONAL DATA																					
MODEL NO.	CABINET			DRAIN/OVERFLOW LOCATION			HOOD DIM	RALING	DUCT OPENING		DUCT LOCATION		ELECTRIC SERVICE	WATER SERVICE	GAS SERVICE	RETURN AIR OPENING		RETURN AIR LOCATION		WEIGHT	
	A	B	C	D	E	F	G	H	J	K	L	M	N	P	Q	R	S	T	U	NET	OPR
ARS-030	126-1/4	42	37-9/16	18	17	8	21-3/8	39-3/4	21-1/2	26-1/2	10	11-15/16	55-9/16	17	23	31-1/2	11-3/4	4-1/8	26-3/8	1015	1045
ARS-070	126-3/8	48-1/4	55-1/16	16-5/16	17-15/16	6	28-5/16	46	30-1/2	26-1/2	14	18-3/16	58-7/8	14-5/8	23	37-3/4	17-3/4	5-1/4	26-7/16	1430	1495
ARS-100	152-3/8	60-1/4	60-1/4	16-5/16	23-7/8	6	29-7/8*	58	44-1/2	32-1/2	16	13-9/16	68-3/4	14-5/8	23	49-3/4	17-3/4	5-1/4	26-9/16	2065	2135

SITE PREPARATION & UNIT LOCATION

- " SERVICE CLEARANCES SHALL BE THE SAME WIDTH AS THE UNIT ITSELF, EXCEPT THE SUPPLY END WHICH IS A MINIMUM OF 18".
- " AVOID OVERHEAD POWER LINES, OR OTHER UTILITY ACCESS TO PREVENT CONTACT OR DAMAGE.
- " SEE IOM FOR DETAILED SITE PREPARATIONS AND INSTALLATION.
- " (\*) INDICATES RAIN HOOD TO BE SHIPPED LOOSE AND FIELD INSTALLED BY INSTALLING CONTRACTOR

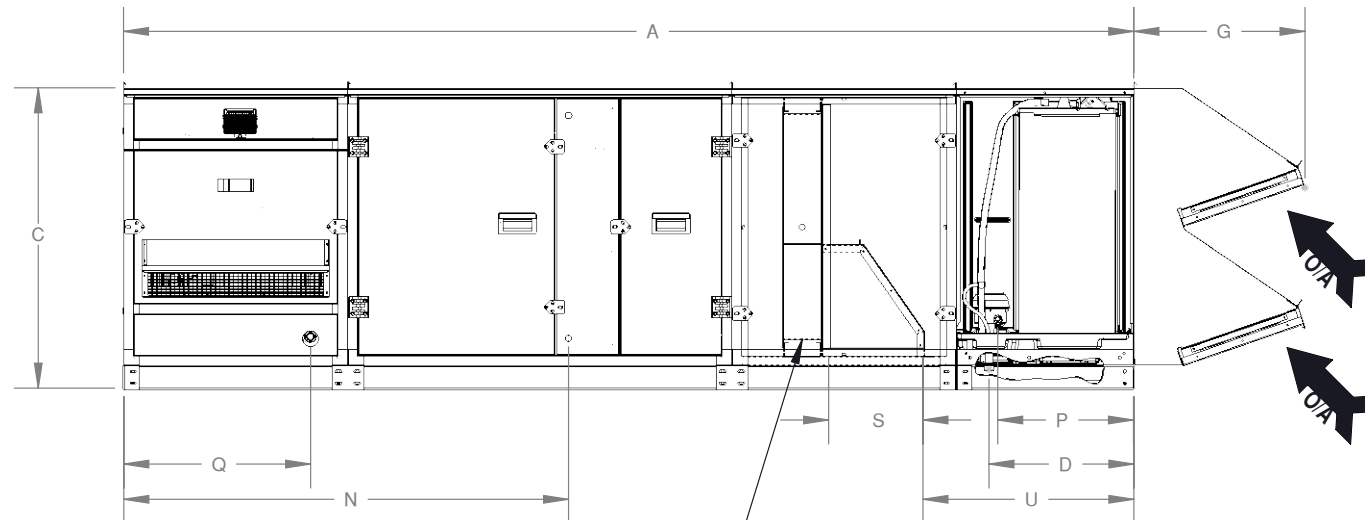
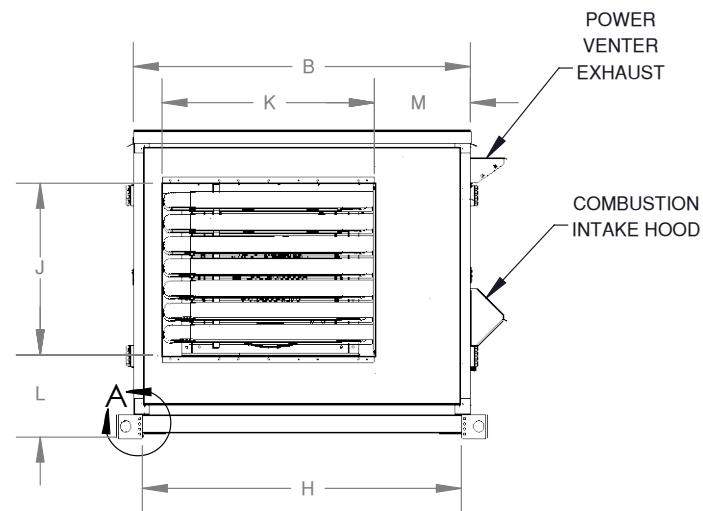
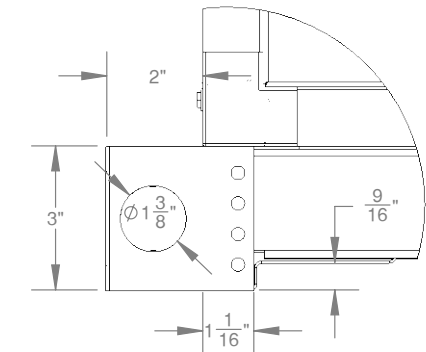
FILTER OPTIONS						
MODEL NO	INLET FILTERS			2" FINAL FILTERS		
	QTY	SIZE	TYPE	QTY	SIZE	TYPE
ARS-30	4	16" X 20"	1" ALUM 2" ALUM	4	16" X 20"	MERV 8 MERV 13
ARS-70	4	24" X 24"	1" ALUM 2" ALUM	6	16" X 24"	MERV 8 MERV 13
ARS-100	6	20" X 25"	1" ALUM 2" ALUM	6	20" X 25"	MERV 8 MERV 13



INLET HOOD  
W/ BIRDSCREEN  
& FILTERS  
(SEE OPTIONS)



DETAIL A  
RAILING PROFILE



O/A & R/A COMBO SHOWN  
O/A ONLY OPTION AVAILABLE

REV.	DESCRIPTION	DATE	BY	ECN#
E				
D				
C				
B				
A				

ARES RESERVES THE RIGHT TO CHANGE SPECIFICATIONS AND PRODUCT DESIGN WITHOUT NOTICE. SUCH REVISIONS DO NOT ENTITLE THE BUYER TO CORRESPONDING CHANGES, IMPROVEMENTS, ADDITIONS OR REPLACEMENTS FOR PREVIOUSLY PURCHASED EQUIPMENT.

SUBMITAL NO.		APF1A1XH2	
SCALE: 1:24	NAME	DATE	
DRAWN BY: DW		12/20/2016	

