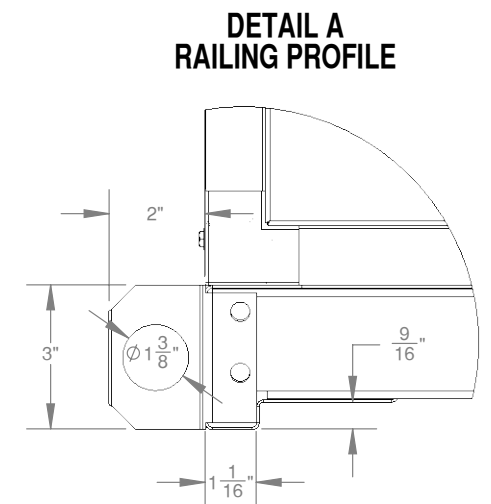
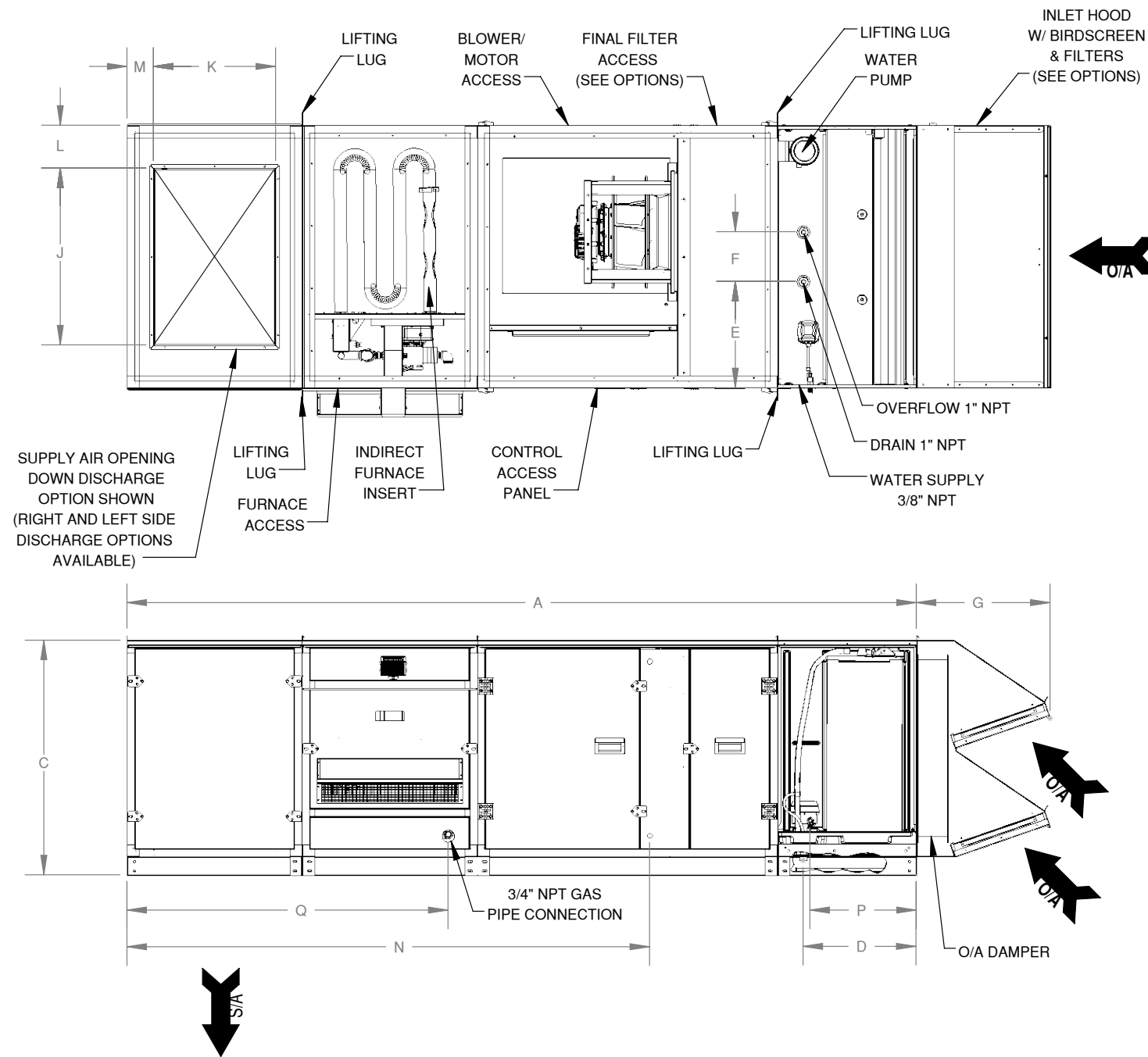
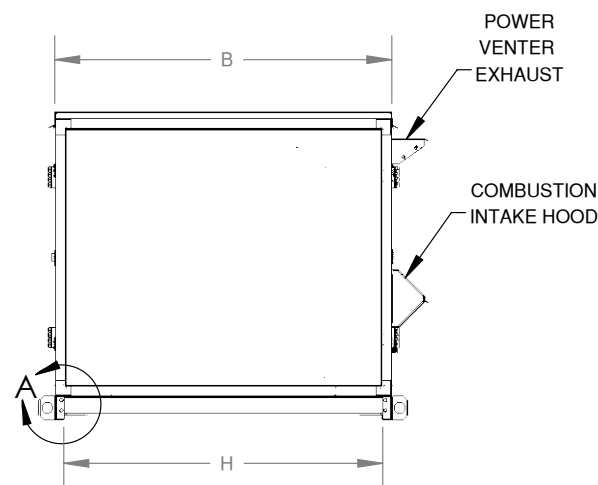


DIMENSIONAL DATA																	
MODEL NO.	CABINET			DRAIN/OVERFLOW LOCATION			HOOD DIM	RALING	DUCT OPENING		DUCT LOCATION		ELECTRIC SERVICE	WATER SERVICE	GAS SERVICE	WEIGHT	
	A	B	C	D	E	F	G	H	J	K	L	M	N	P	Q	NET	OPR
ARS-030	126-1/4	42	37-9/16	18	17	8	21-3/8	39-3/4	28-1/4	19-1/2	6-7/8	4-1/4	83-9/16	17	51	975	1000
ARS-070	126-3/8	48-1/4	55-1/16	16-5/16	17-15/16	6	28-5/16	46	35-3/4	19-3/4	5-1/4	5-1/8	86-7/8	14-5/8	51	1330	1265
ARS-100	144-3/8	60-1/4	60-5/16	16-5/16	23-7/8	6	29-7/8*	58	49-3/4	19-1/2	6-1/8	4-1/16	92-3/4	14-5/8	51	2040	2110

SITE PREPARATION & UNIT LOCATION

- " SERVICE CLEARANCES SHALL BE THE SAME WIDTH AS THE UNIT ITSELF, EXCEPT THE SUPPLY END WHICH IS A MINIMUM OF 18".
- " AVOID OVERHEAD POWER LINES, OR OTHER UTILITY ACCESS TO PREVENT CONTACT OR DAMAGE.
- " SEE IOM FOR DETAILED SITE PREPARATIONS AND INSTALLATION.
- " (*) INDICATES RAIN HOOD TO BE SHIPPED LOOSE AND FIELD INSTALLED BY INSTALLING CONTRACTOR

FILTER OPTIONS						
MODEL NO.	INLET FILTERS			2" FINAL FILTERS		
	QTY	SIZE	TYPE	QTY	SIZE	TYPE
ARS-30	4	16" X 20"	1" ALUM 2" ALUM	4	16" X 20"	MERV 8 MERV 13
ARS-70	4	24" X 24"	1" ALUM 2" ALUM	6	16" X 24"	MERV 8 MERV 13
ARS-100	6	20" X 25"	1" ALUM 2" ALUM	6	20" X 25"	MERV 8 MERV 13



REV.	DESCRIPTION	DATE	BY	ECN#
E				
D				
C				
B				
A				

ARES RESERVES THE RIGHT TO CHANGE SPECIFICATIONS AND PRODUCT DESIGN WITHOUT NOTICE. SUCH REVISIONS DO NOT ENTITLE THE BUYER TO CORRESPONDING CHANGES, IMPROVEMENTS, ADDITIONS OR REPLACEMENTS FOR PREVIOUSLY PURCHASED EQUIPMENT.

SUBMITTAL NO.		APF1A1XD1	
SCALE: 1:24	NAME	DATE	
DRAWN BY:	DW	12/19/2016	

