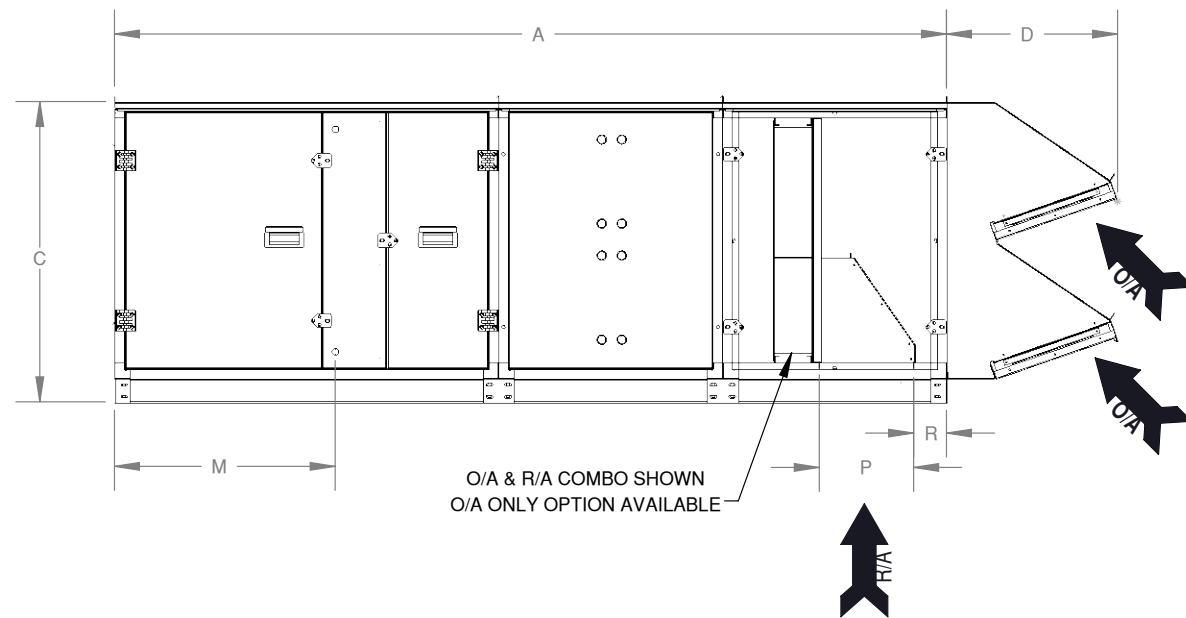
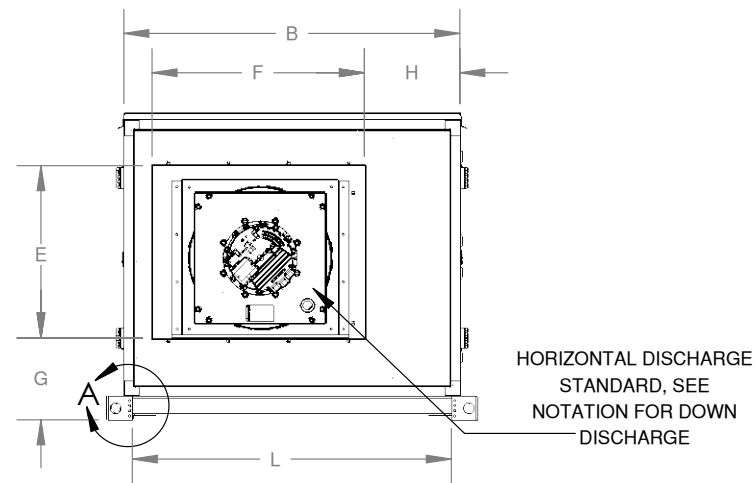
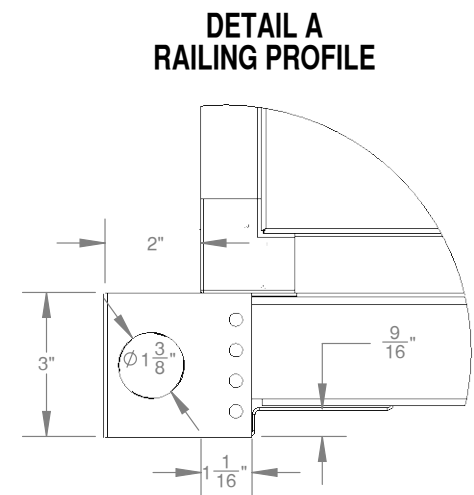
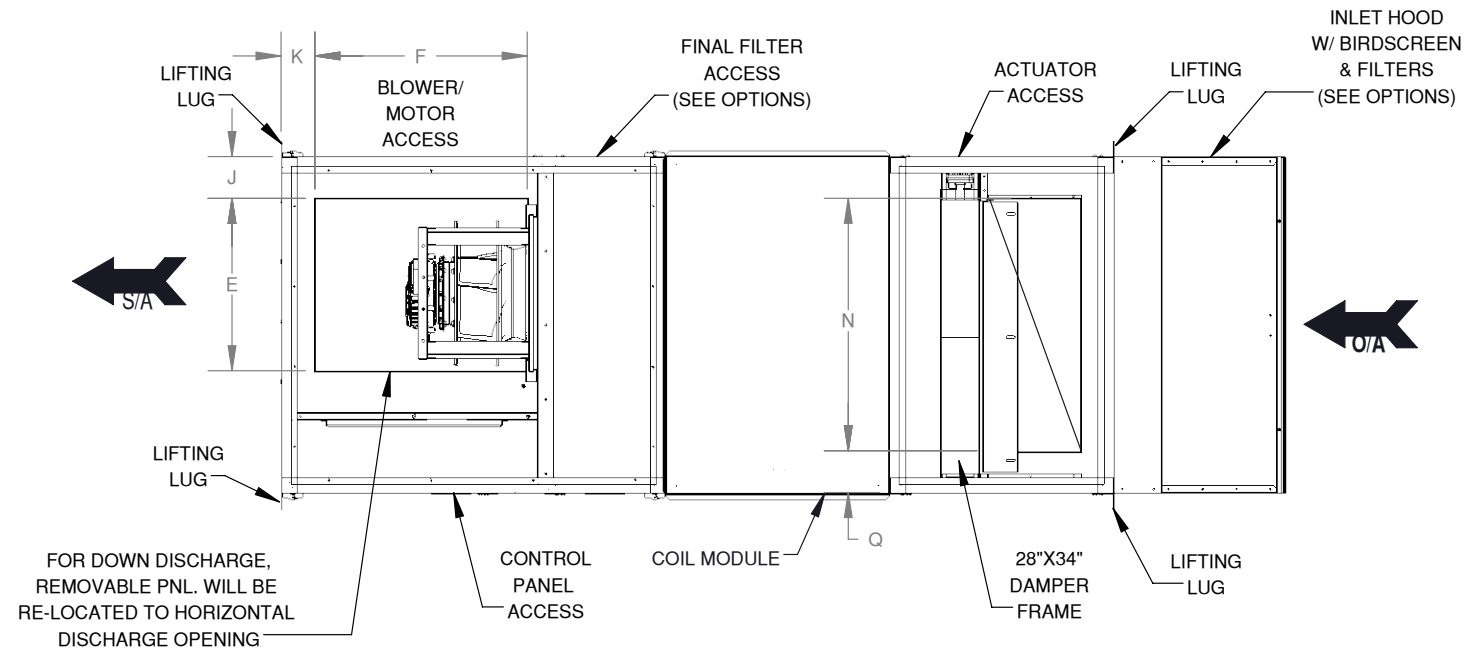


DIMENSIONAL DATA																			
MODEL NO	CABINET			HOOD DIM	DUCT OPENING		DUCT LOCATION				RAILING	ELECTRIC SERVICE	RETURN AIR OPENING		RETURN AIR LOCATION		WEIGHT		
	A	B	C	D	E	F	G	H	J	K	L	M	N	P	Q	R	NET	OPR	
ARS-030	104	42	37-9/16	21-3/8	21-1/2	26-1/2	10	11-15/16	5-3/8	4-15/16	39-3/4	27-9/16	31-1/2	12	4-1/8	4-1/8	780	780	
ARS-070	112	48-1/4	55-1/16	28-5/16	30-1/2	26-1/2	14	18-1/16	5-3/8	4-1/4	46	27-7/8	37-13/16	17-9/16	5-1/4	4-3/16	1085	1085	
ARS-100	130	60-1/4	60-5/16	29-7/8	44-1/2	32-1/2	16	13-9/16	5-3/8	4-3/8	58	36-3/4	49-13/16	17-13/16	5-1/4	4-3/16	1645	1645	

SITE PREPARATION & UNIT LOCATION

- " SERVICE CLEARANCES SHALL BE THE SAME WIDTH AS THE UNIT ITSELF, EXCEPT THE SUPPLY END WHICH IS A MINIMUM OF 18".
- " AVOID OVERHEAD POWER LINES, OR OTHER UTILITY ACCESS TO PREVENT CONTACT OR DAMAGE.
- " SEE IOM FOR DETAILED SITE PREPARATIONS AND INSTALLATION.

FILTER OPTIONS						
MODEL NO	INLET FILTERS			2" FINAL FILTERS		
	QTY	SIZE	TYPE	QTY	SIZE	TYPE
ARS-30	4	16" X 20"	1" ALUM 2" ALUM	4	16" X 20"	MERV 8 MERV 13
ARS-70	4	24" X 24"	1" ALUM 2" ALUM	6	16" X 24"	MERV 8 MERV 13
ARS-100	6	20" X 25"	1" ALUM 2" ALUM	6	20" X 25"	MERV 8 MERV 13



REV.	DESCRIPTION	DATE	BY	ECN#
E				
D				
C				
B				
A				

ARES RESERVES THE RIGHT TO CHANGE SPECIFICATIONS AND PRODUCT DESIGN WITHOUT NOTICE. SUCH REVISIONS DO NOT ENTITLE THE BUYER TO CORRESPONDING CHANGES, IMPROVEMENTS, ADDITIONS OR REPLACEMENTS FOR PREVIOUSLY PURCHASED EQUIPMENT.

SUBMITAL NO.		APF1XXAC2	
SCALE: 1:24	NAME	DATE	
DRAWN BY: DW		01/03/2017	

