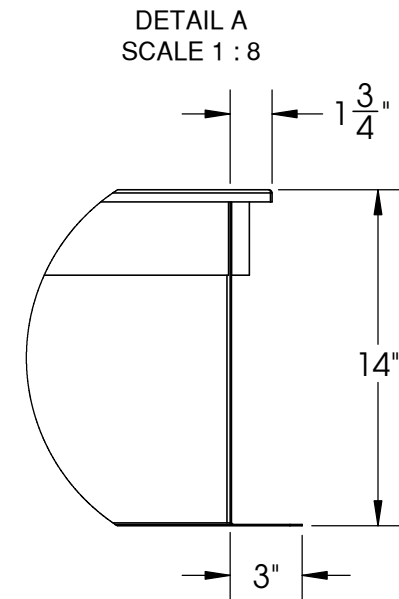
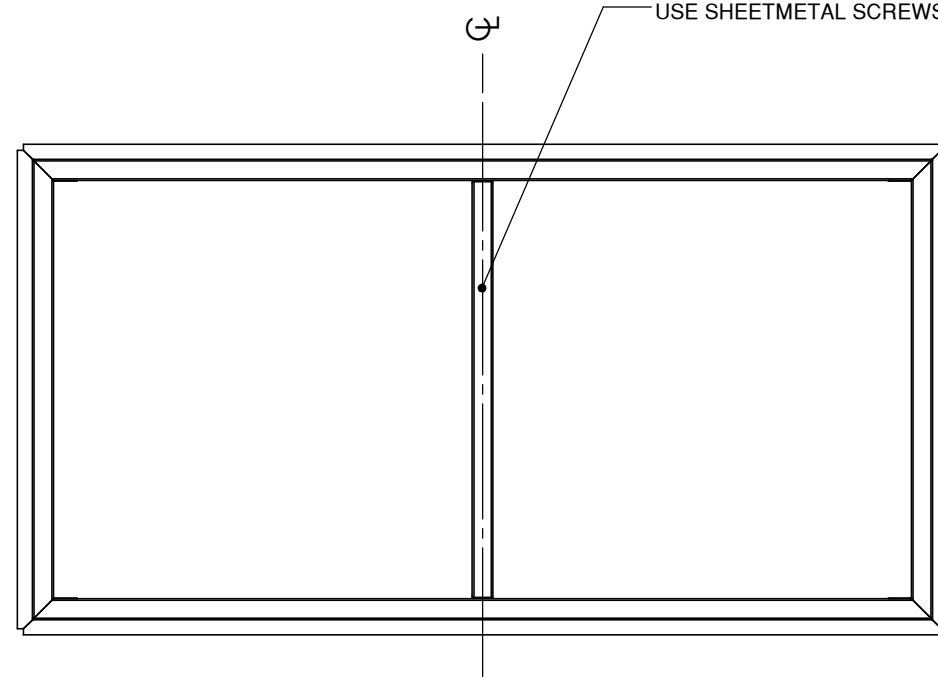
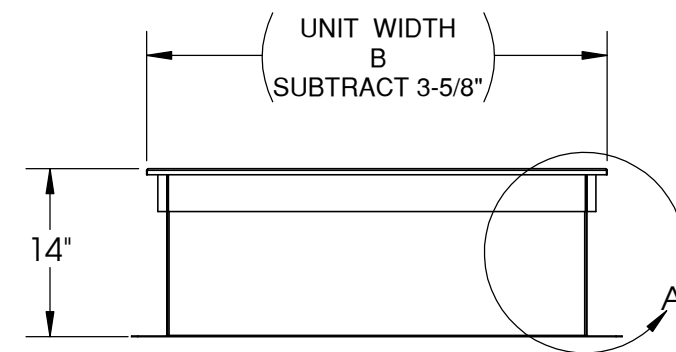
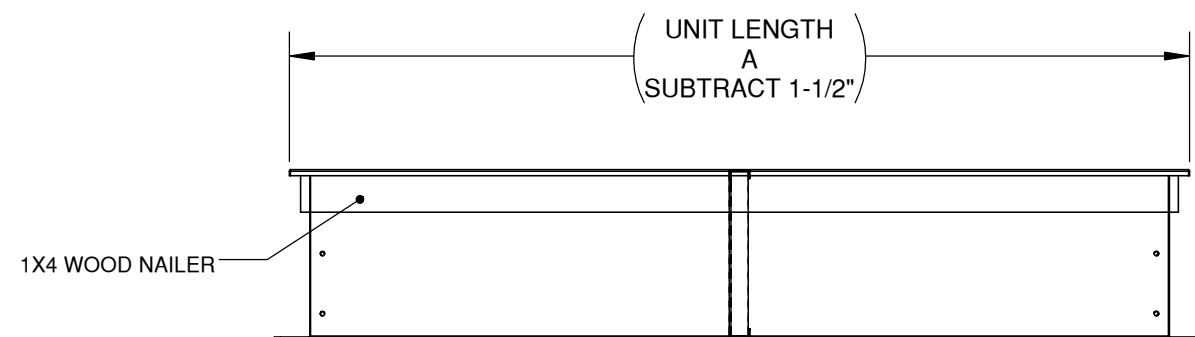


1. FULL PERIMETER ROOF CURB CONSTRUCTED OF 16 GA. G90, GALVANIZED FINISH.
2. CURB INCLUDES 1X4 WOOD NAILERS.
3. CURB SHIPPED KNOCKED DOWN, FOR ASSEMBLY BY OTHERS.
4. ROOF CURBS ARE NON-INSULATED, FASTENERS INCLUDED.
5. HIGH DENSITY NEOPRENE GASKET INCLUDED. (FIELD INSTALLED).
6. ALL DIMENSIONS IN INCHES AND SUBJECT TO MANUFACTURING TOLERANCES.
7. CURBS DO NOT SUPPORT EVAPORATIVE COOLING MODULE.

CROSS SUPPORT SUPPLIED.
 INSTALL AS CLOSE TO CENTER LINE AS POSSIBLE
 AVOIDING DISCHARGE & R/A OPENINGS.
 USE SHEETMETAL SCREWS PROVIDED.



**** IF UNIT INCLUDES AN EVPORATIVE MODULE,
 UNIT LENGTH "A" WILL REDUCE BY 23-7/8" ****



ARES RESERVES THE RIGHT TO CHANGE SPECIFICATIONS AND PRODUCT DESIGN WITHOUT NOTICE. SUCH REVISIONS DO NOT ENTITLE THE BUYER TO CORRESPONDING CHANGES, IMPROVEMENTS, ADDITIONS OR REPLACEMENTS FOR PREVIOUSLY PURCHASED EQUIPMENT.	SUBMITTAL NO.			
	ARES PLUS CURBS			
	SCALE:	NAME		DATE
	DRAWN BY:	DW		4/18/2017