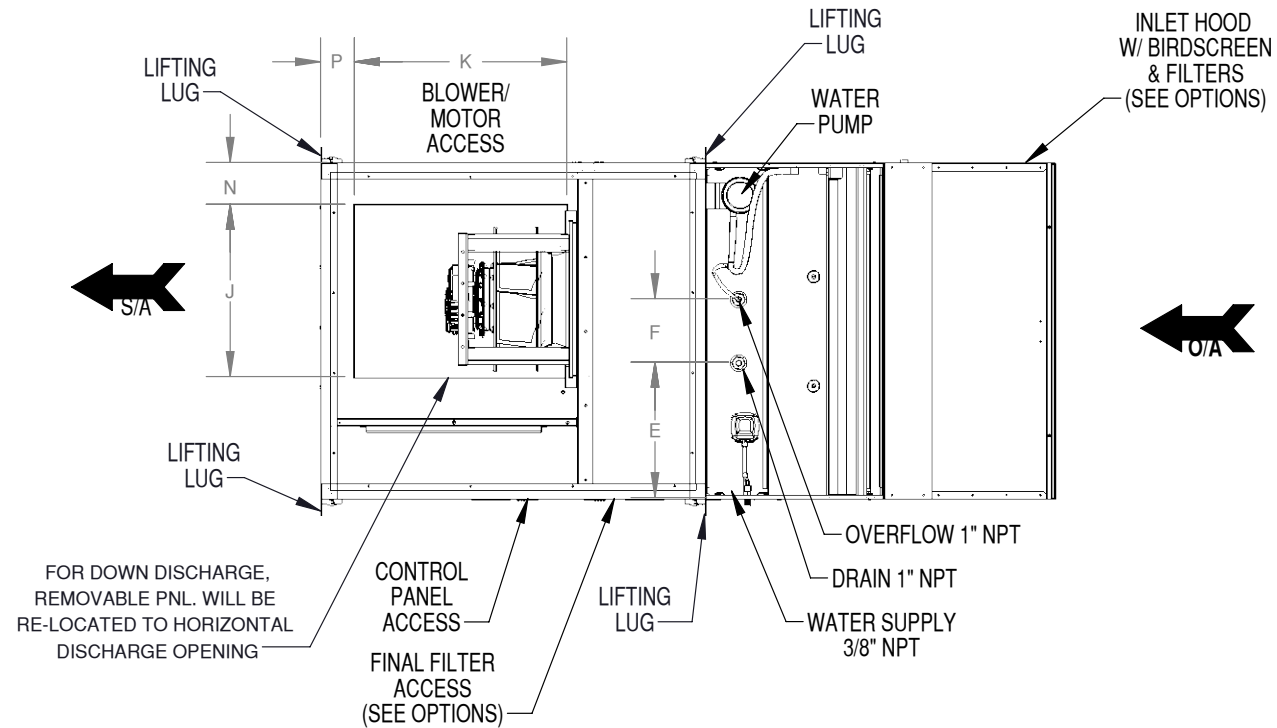


DIMENSIONAL DATA																		
MODEL NO	CABINET			DRAIN/OVERFLOW LOCATION			HOOD DIM	RAILING	DUCT OPENING		DUCT LOCATION				ELECTRIC SERVICE	WATER SERVICE	WEIGHT	
	A	B	C	D	E	F	G	H	J	K	L	M	N	P	Q	R	NET	OPR
ARS-030	70-1/4	42	37-9/16	18	17	8	21-3/8	39-3/4	21-1/2	26-1/2	10	11-7/8	5-3/8	4-5/16	27-9/16	17	490	520
ARS-070	70-3/8	48-1/4	55-1/16	16-5/16	17-15/16	6	28-5/16	46	30-1/2	26-1/2	14	18-1/16	5-3/8	4-1/4	30-7/8	14-5/8	700	765
ARS-100	84-3/8	60-1/4	60-5/16	16-5/16	23-7/8	6	29-7/8	56	44-1/2	32-1/2	16	13-9/16	5-3/8	4-3/8	36-3/4	14-5/8	1185	1256

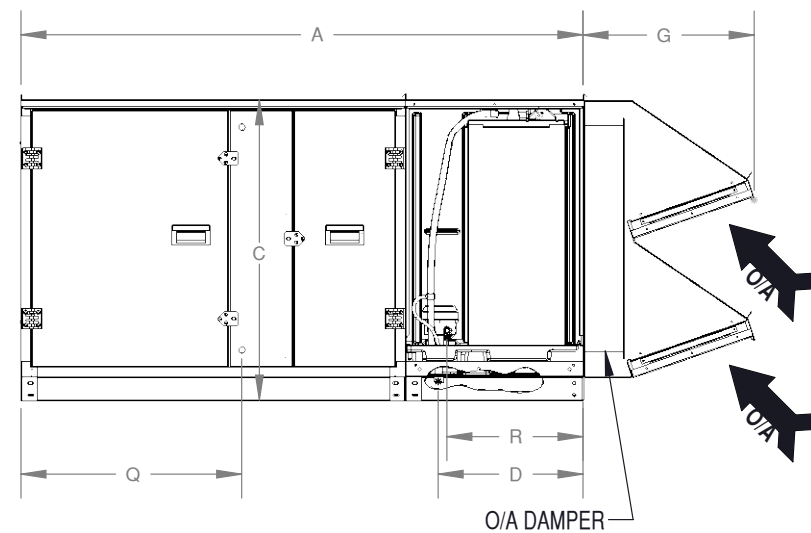
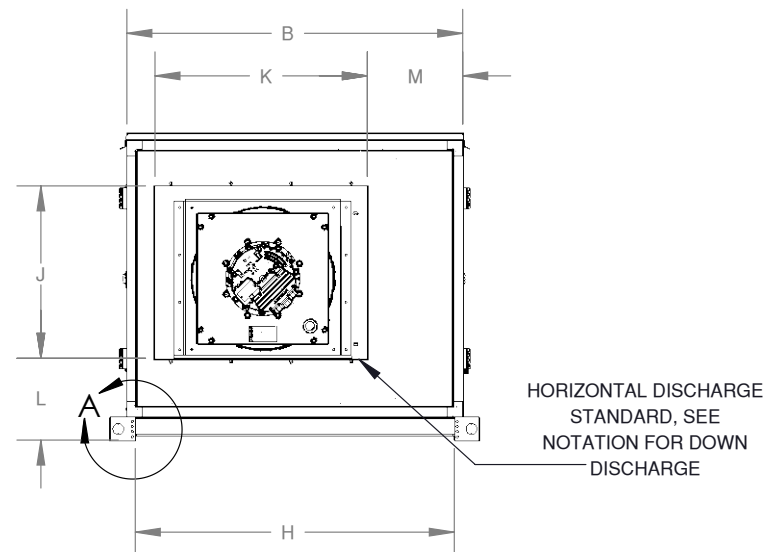
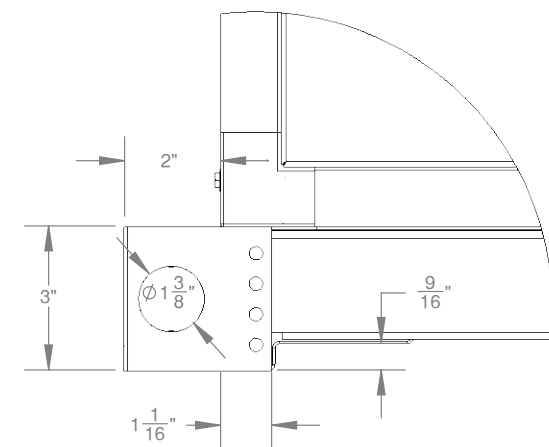
SITE PREPARATION & UNIT LOCATION

- " SERVICE CLEARANCES SHALL BE THE SAME WIDTH AS THE UNIT ITSELF, EXCEPT THE SUPPLY END WHICH IS A MINIMUM OF 18".
- " AVOID OVERHEAD POWER LINES, OR OTHER UTILITY ACCESS TO PREVENT CONTACT OR DAMAGE.
- " SEE IOM FOR DETAILED SITE PREPARATIONS AND INSTALLATION.

FILTER OPTIONS						
MODEL NO	INLET FILTERS			2" FINAL FILTERS		
	QTY	SIZE	TYPE	QTY	SIZE	TYPE
ARS-30	4	16" X 20"	1" ALUM 2" ALUM	4	16" X 20"	MERV 8 MERV 13
ARS-70	4	24" X 24"	1" ALUM 2" ALUM	6	16" X 24"	MERV 8 MERV 13
ARS-100	6	20" X 25"	1" ALUM 2" ALUM	6	20" X 25"	MERV 8 MERV 13



DETAIL A  
RAILING PROFILE



REV.	DESCRIPTION	DATE	BY	ECN#
E				
D				
C				
B				
A				

ARES RESERVES THE RIGHT TO CHANGE SPECIFICATIONS AND PRODUCT DESIGN WITHOUT NOTICE. SUCH REVISIONS DO NOT ENTITLE THE BUYER TO CORRESPONDING CHANGES, IMPROVEMENTS, ADDITIONS OR REPLACEMENTS FOR PREVIOUSLY PURCHASED EQUIPMENT.

SUBMITAL NO. APF1X1XC1		
SCALE: 1:24	NAME	DATE
DRAWN BY: DW		11/21/2016



